

Represented by:

The DiMaggio Technical Products Group

Peter J. DiMaggio

President
(978) 846-0463
peterjdimaggio@TDTPG.com
www.TDTPG.com

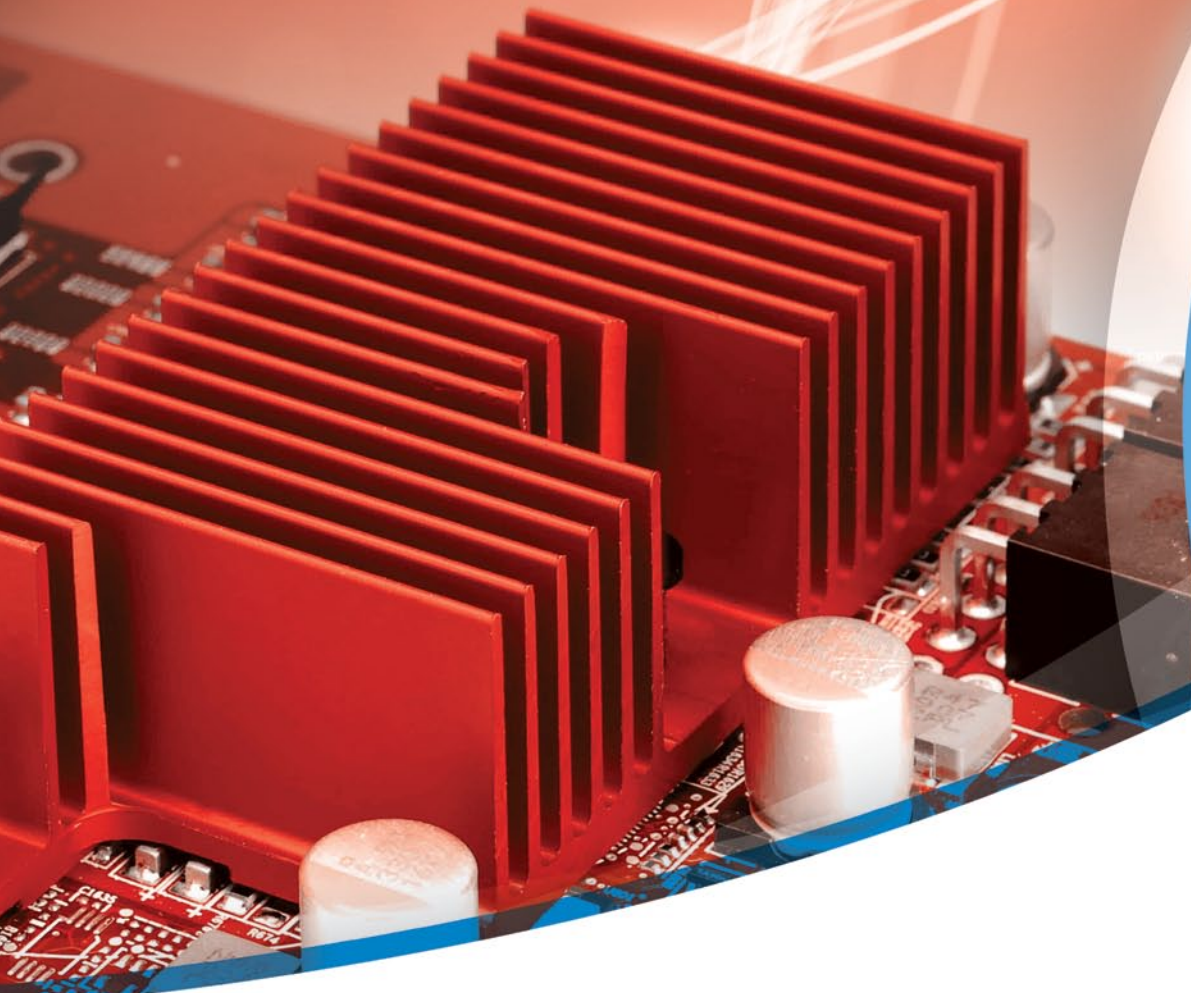


Manufacturers Representative to the high tech of New England

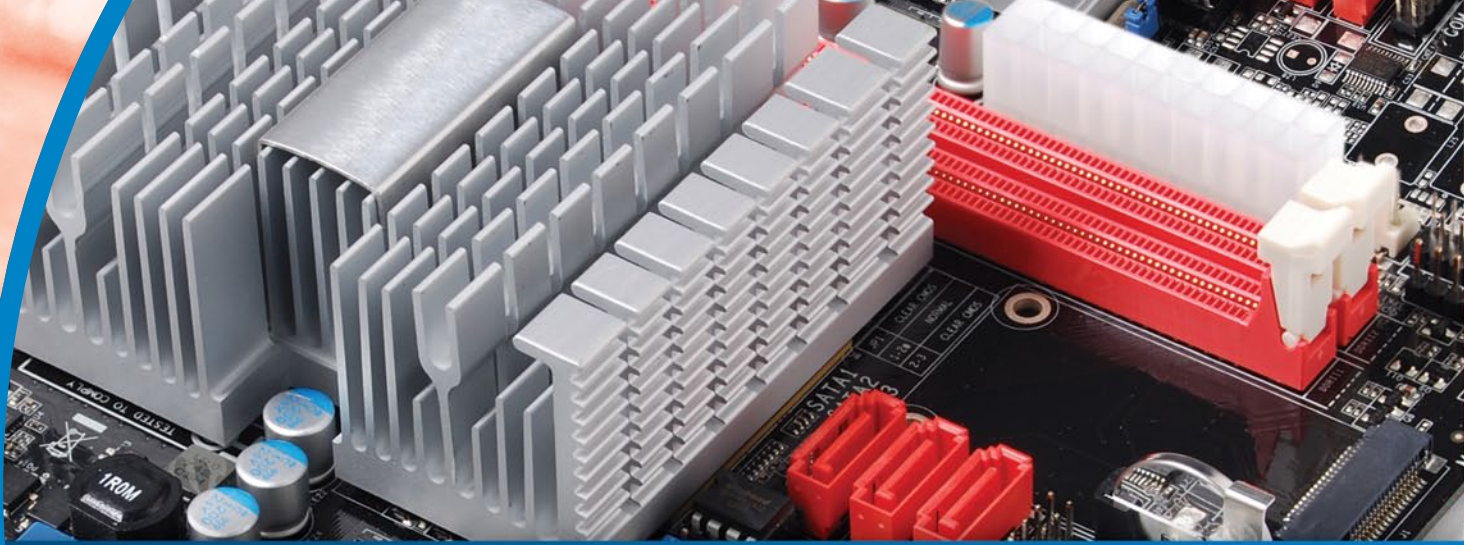
STANDARD

BOARD LEVEL

HEATSINKS



 **Cooling Source[®]**

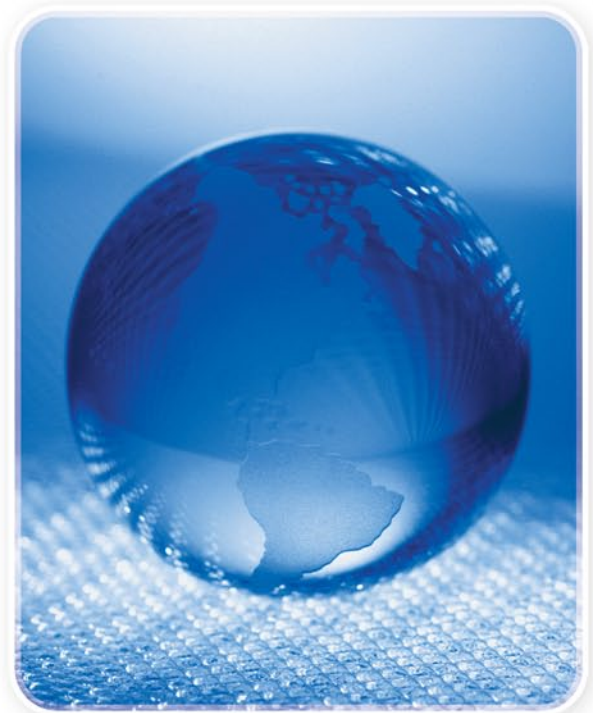


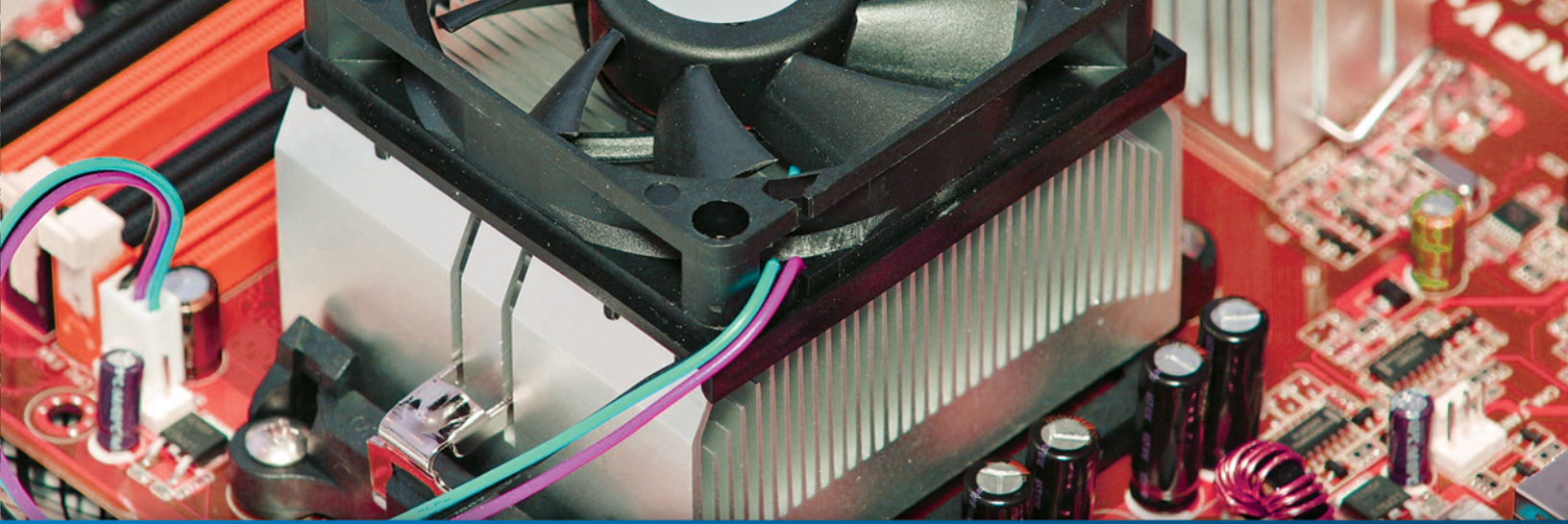
MISSION STATEMENT

Cooling Source aims to deliver the highest value of services and products in a timely manner to our customers as the premier thermal solutions manufacturer, designer and service company.

COMPANY INTRODUCTION

Cooling Source, Inc. offers the most comprehensive value-added standard and custom heatsink solutions, including the latest technology to a wide range of markets. We provide design assistance and thermal analysis to help you achieve your goals. We will deliver the highest value to our customers as the premier manufacturer, designer and Service Company. Our ISO 9001-2008 and ISO14001 certified manufacturing plant is based in main land China to ensure you the lowest cost, best quality and supply chain continuity for your volume production.





COOLING SOURCE - THE DIFFERENCE

- Provide CFD modeling of heat sinks, boards and assemblies
- Mechanical design assistance on thermal solutions and attachments
- Broadest range of manufacturing processes
- Flexible fin shape designs
- Market leader in heat-pipe solutions
- Rapid prototyping for the validation of new projects
- Dedicated customer service and support
- Competitive global market cost
- Quality System: ISO 9001-2000 certified
- 100% inspection and testing of heat sink, heat-pipe and assembly
- Short lead times

DESIGN FLEXIBILITY

Cooling Source provides the broadest range of manufacturing processes to ensure you the most cost effective thermal solution.

- Die Casting
- Machining
- Extrusion – High aspect ratio
- Folded Fin
- Forging
- Skived Fin
- Swaged Fin
- Stamped Fin
- Heat-pipe Assembly

1

COST EFFECTIVE MANUFACTURING

- Manufacture your volume requirements at our facility located in Shenzhen, China.
- RFQs, order placements and coordination performed by US - based personnel.
- Engineering and local customer service support.
- ISO 9001- 2000 certified manufacturing facility.
- High quality components with competitive, global market cost.
- Utilize suitable manufacturing processes to ensure lowest production cost.

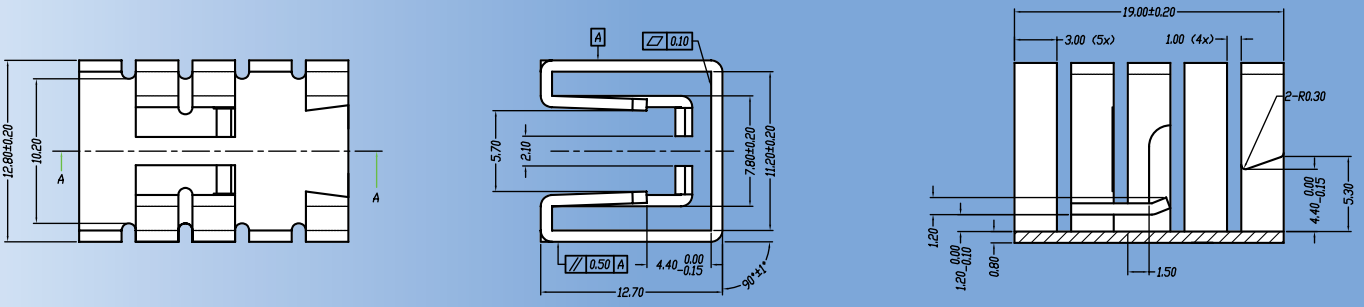
2

ENGINEERING SUPPORT

- Provide thermal analysis of heat sinks, assemblies and boards for new designs using CFD modeling.
- Quick turn-around of prototypes and pre-production quantities to support short design cycles.
- Provide design proposal of heat sinks and thermal solution assemblies.

3

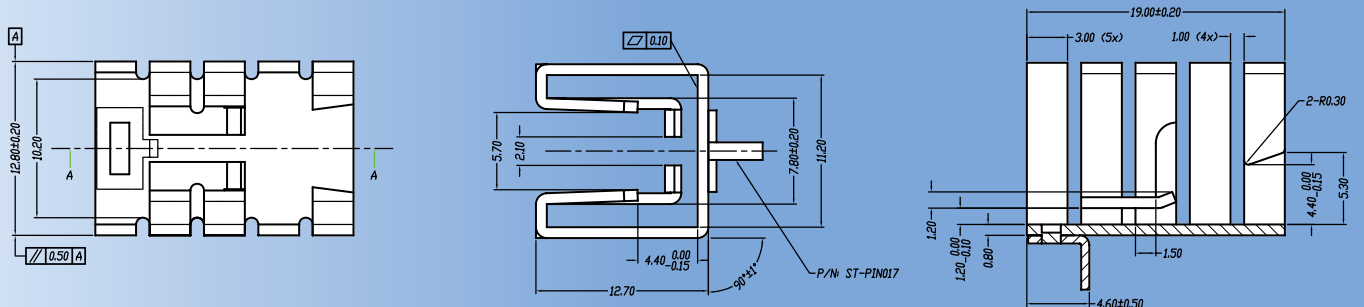
01



CSBL-112-BA-00

AL1100 Black Anodize

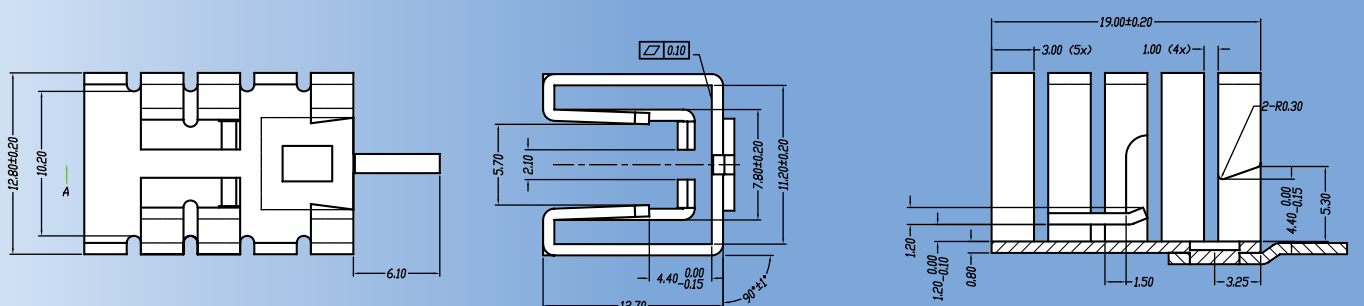
02



CSBL-113-BA-00

AL1100 Black Anodize

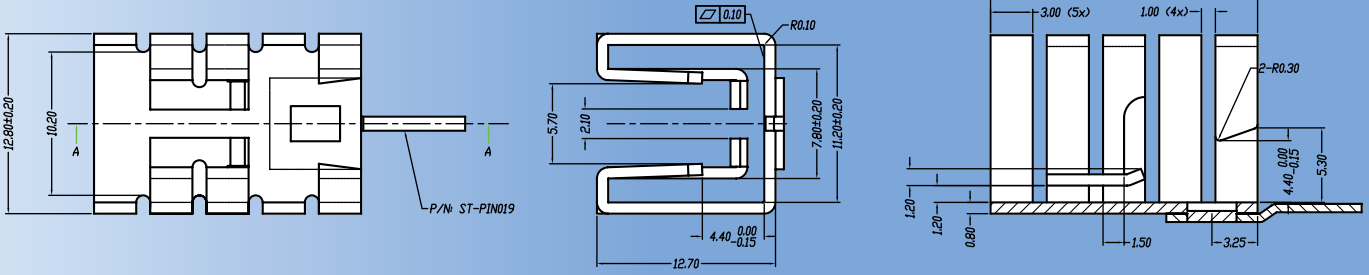
03



CSBL-114-BA-00

AL1100 Black Anodize

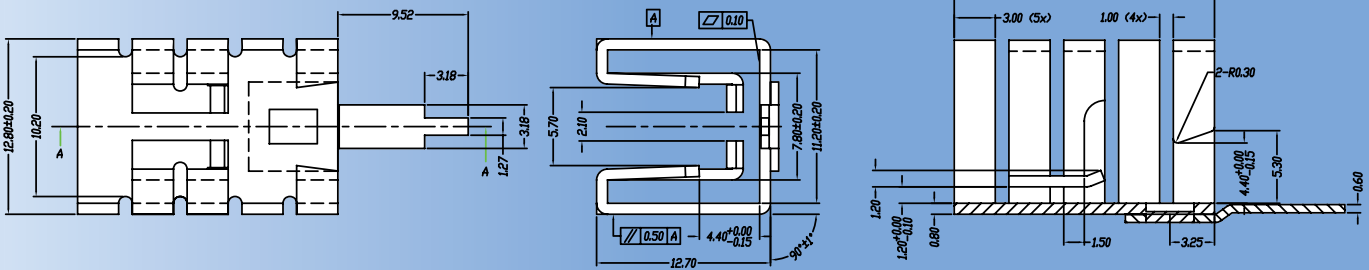
04



CSBL-115-BA-00

AL1100 Black Anodize

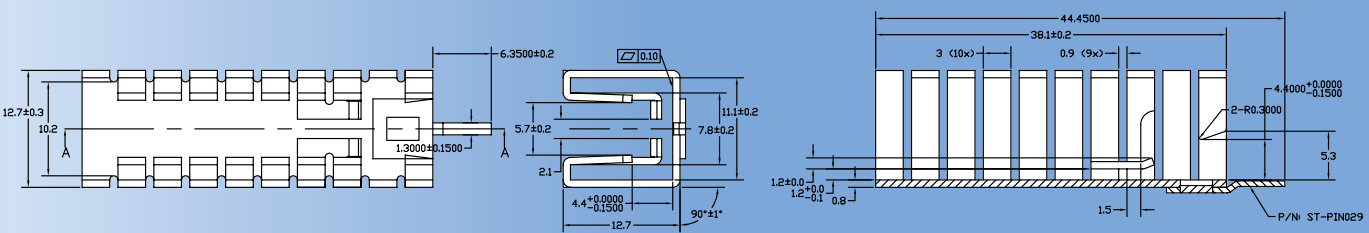
05



CSBL-116-BA-00

AL1100 Black Anodize

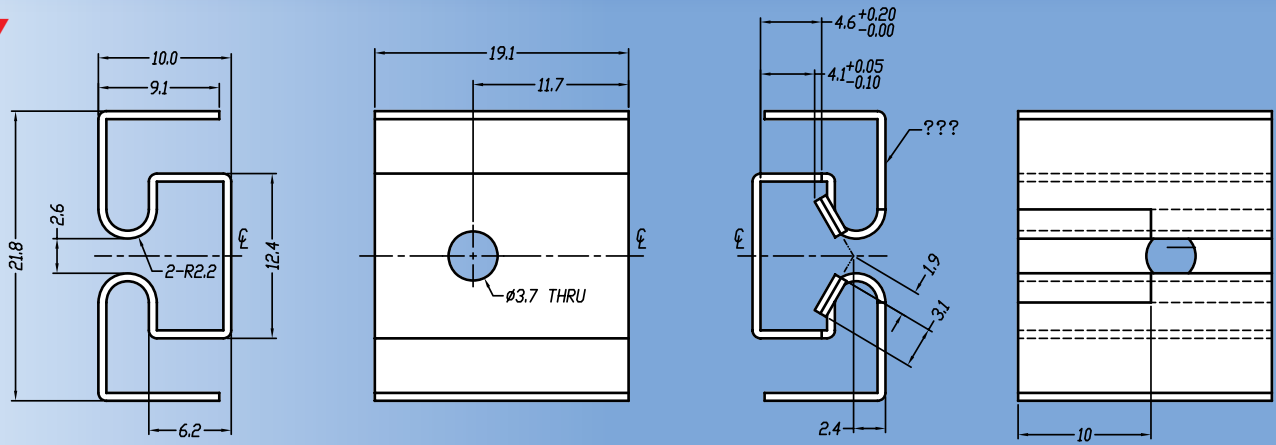
06



CSBL-117-BA-00

AL1100 Black Anodize

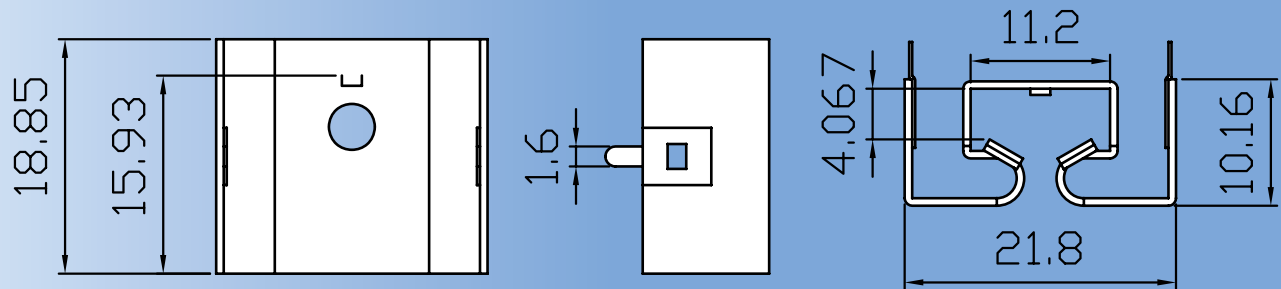
07



CSBL-118-BA-00

AL1100 Black Anodize

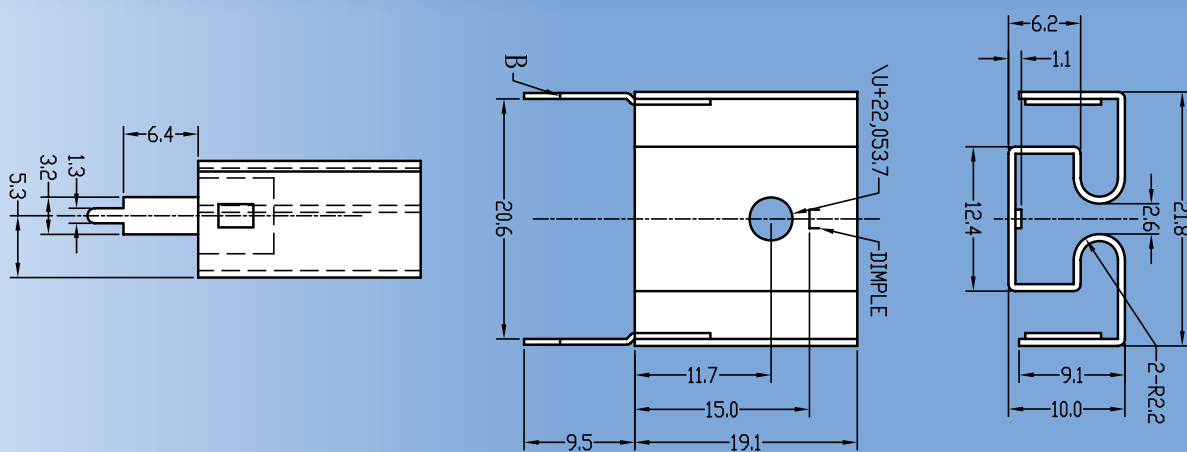
08



CSBL-119-BA-00

AL1100 Black Anodize

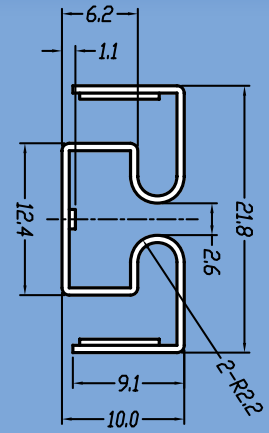
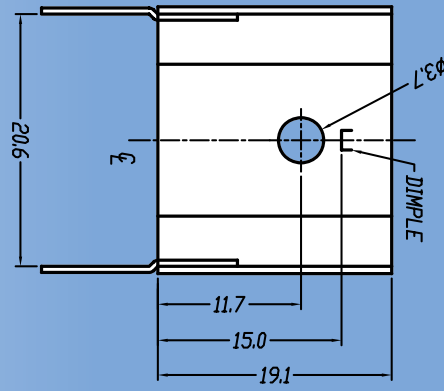
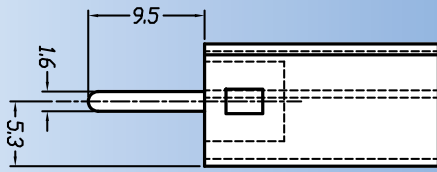
09



CSBL-120-BA-00

AL1100 Black Anodize

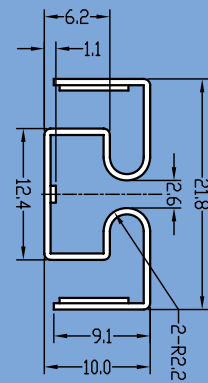
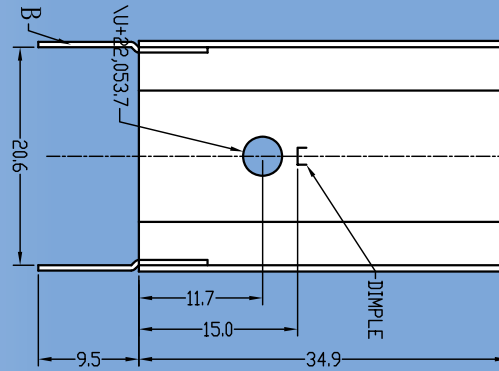
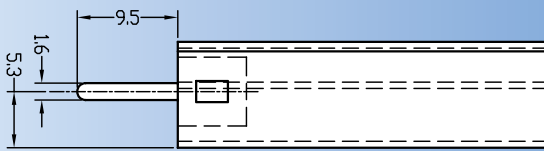
10



CSBL-121-BA-00

AL1100 Black Anodize

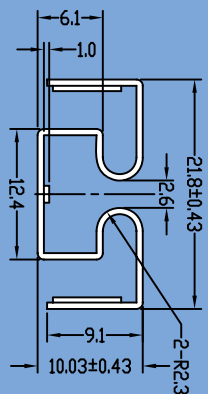
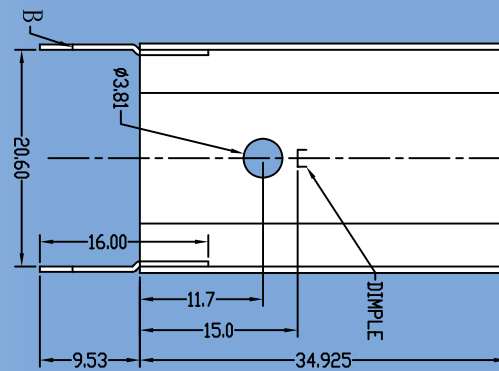
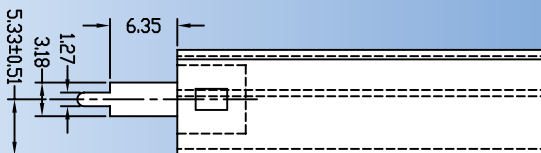
11



CSBL-122-BA-00

AL1100 Black Anodize

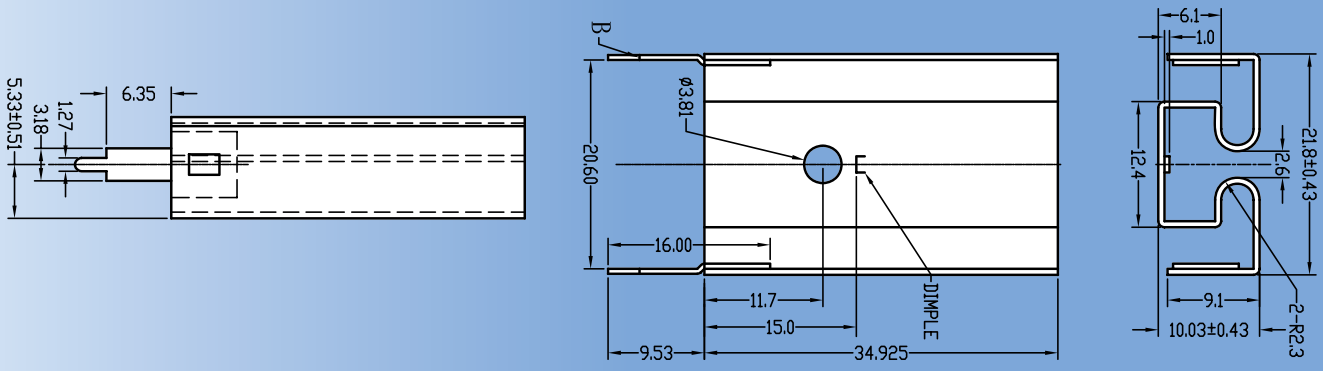
12



CSBL-123-BA-00

AL1100 Black Anodize

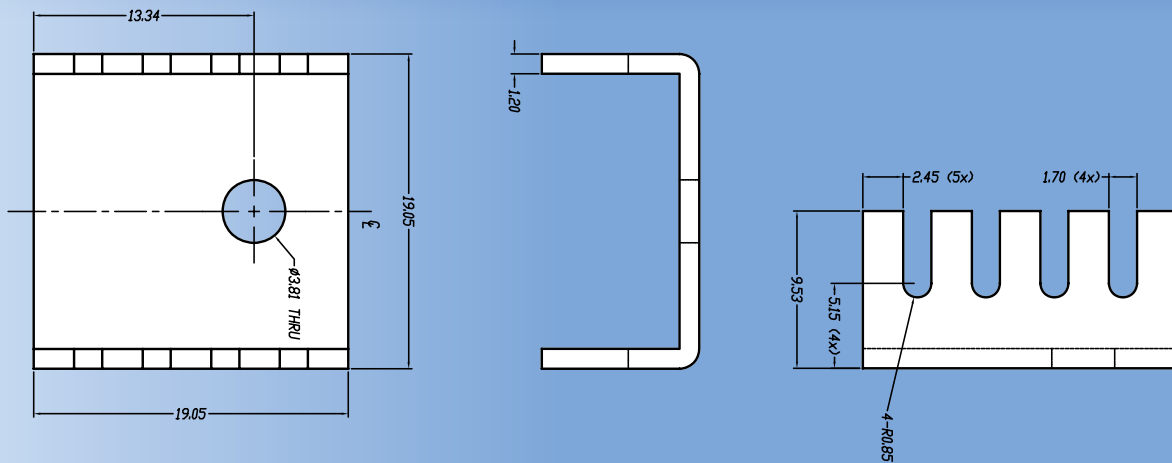
13



CSBL-124-BA-00

AL1100 Black Anodize

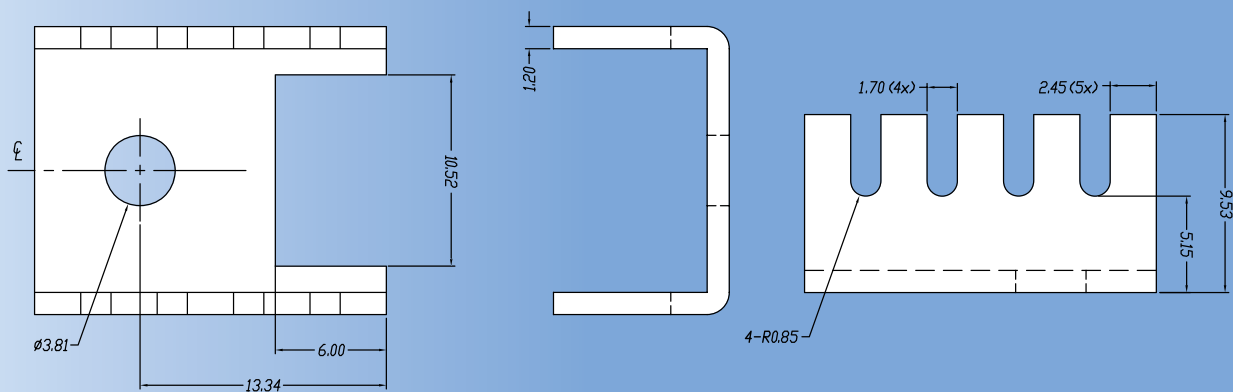
14



CSBL-125-BA-00

AL1100 Black Anodize

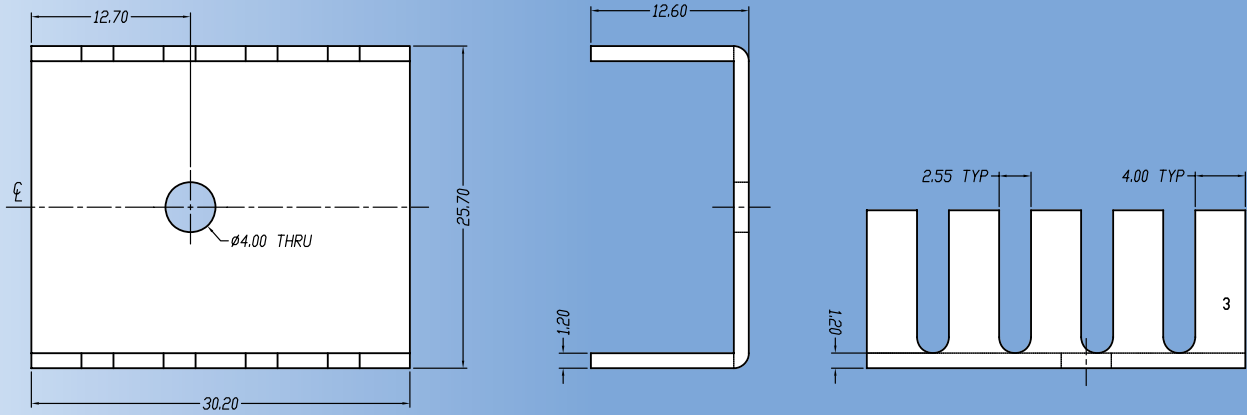
15



CSBL-126-BA-00

AL1100 Black Anodize

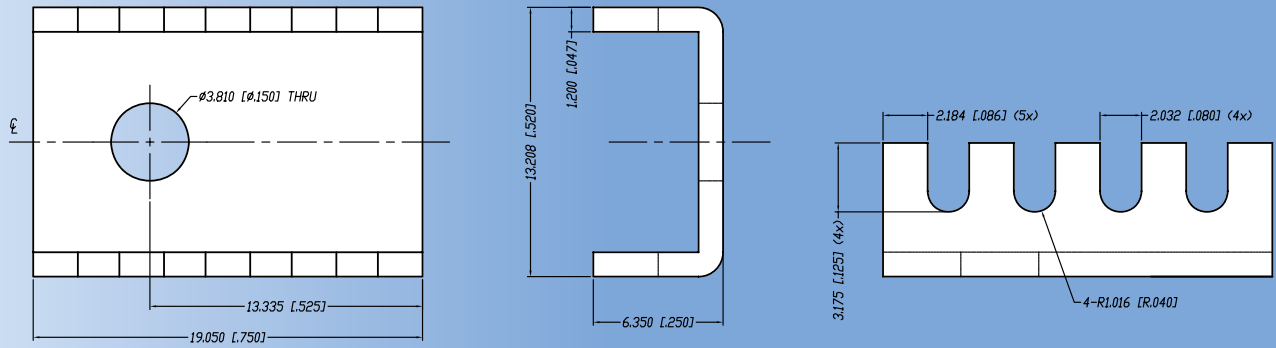
16



CSBL-127-BA-00

AL1100 Black Anodize

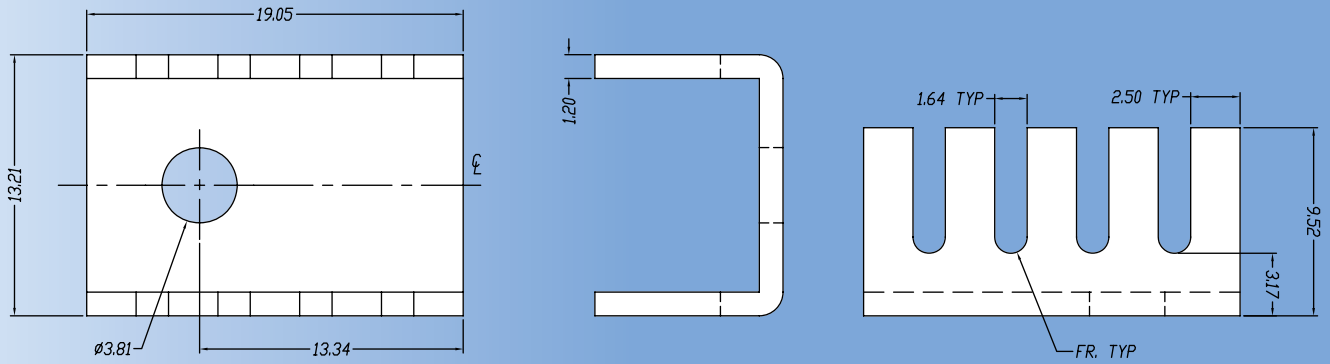
17



CSBL-128-BA-00

AL1100 Black Anodize

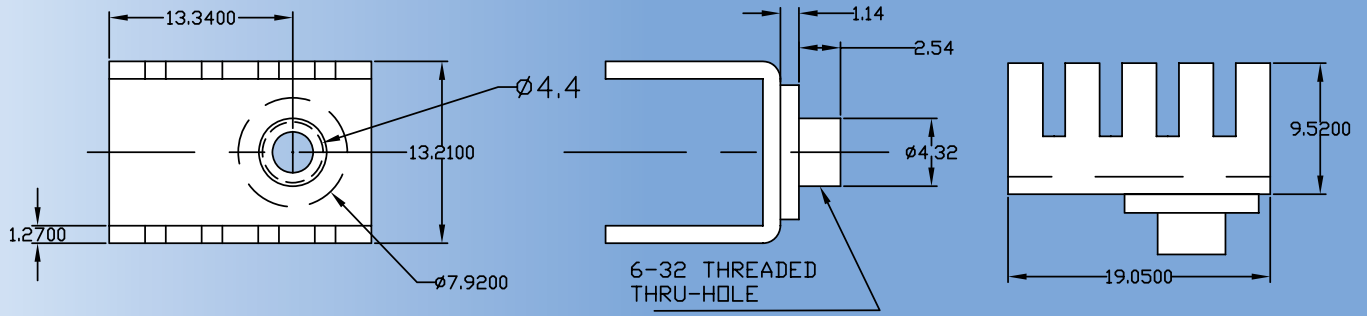
18



CSBL-129-BA-00

AL1100 Black Anodize

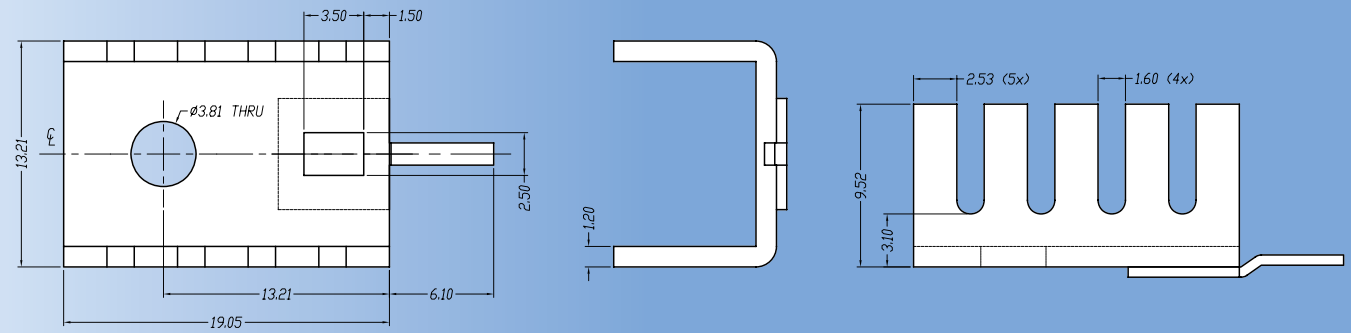
19



CSBL-130-BA-00

AL1100 Black Anodize

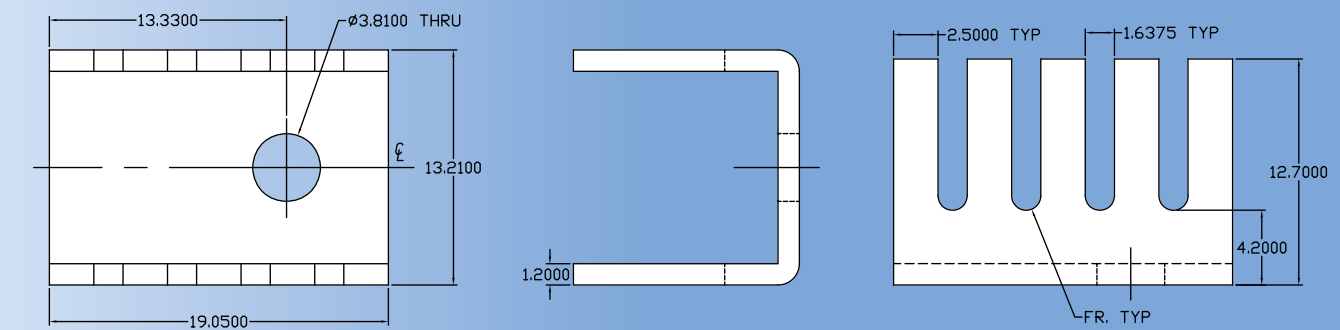
20



CSBL-131-BA-00

AL1100 Black Anodize

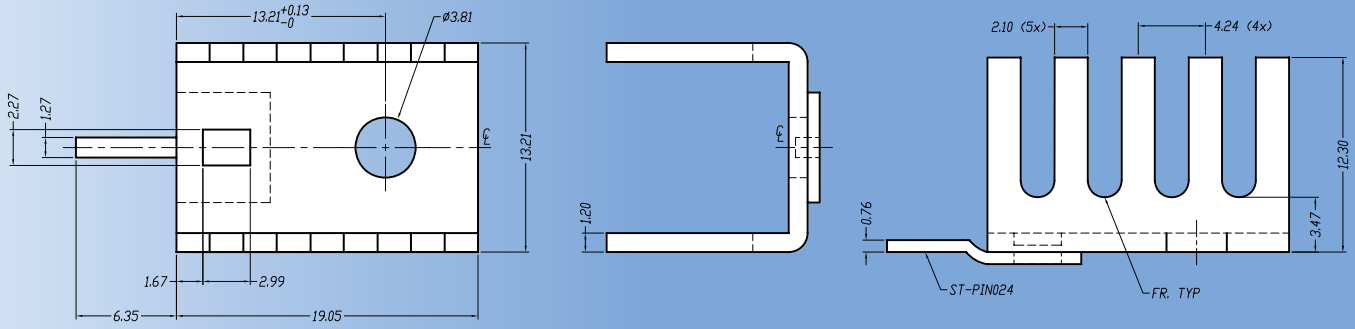
21



CSBL-132-BA-00

AL1100 Black Anodize

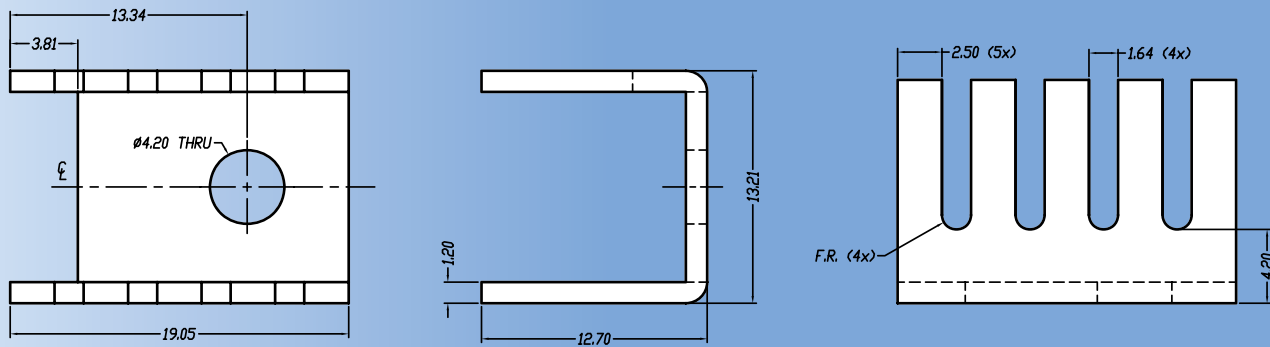
22



CSBL-133-BA-00

AL1100 Black Anodize

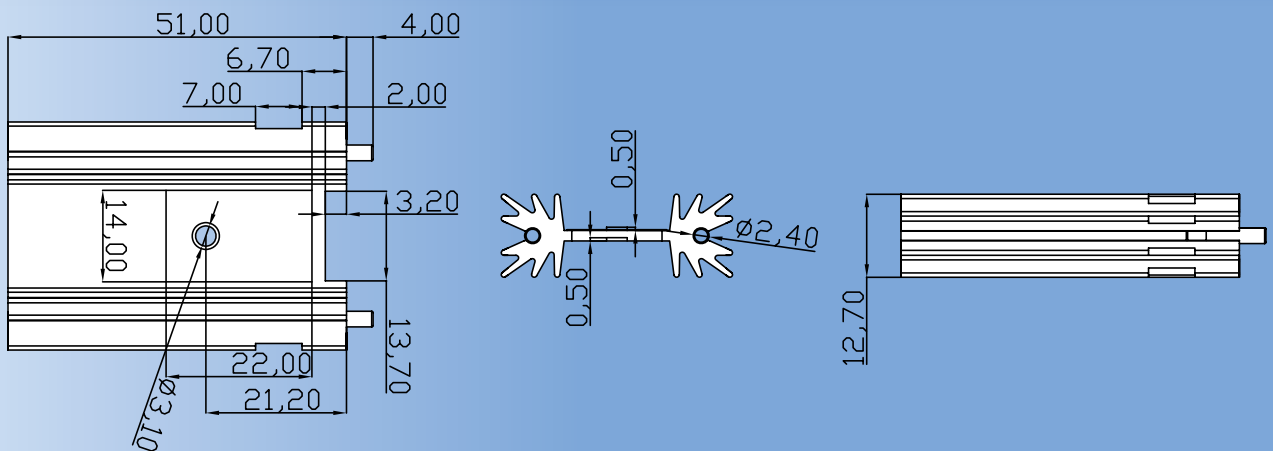
23



CSBL-134-BA-00

AL1100 Black Anodize

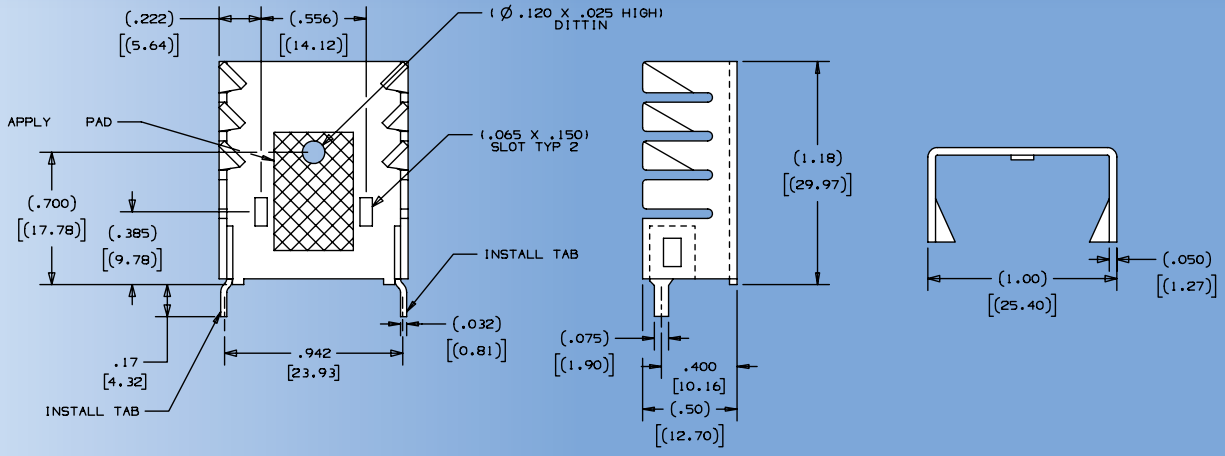
24



CSBL-135-BA-00

AL1100 Black Anodize

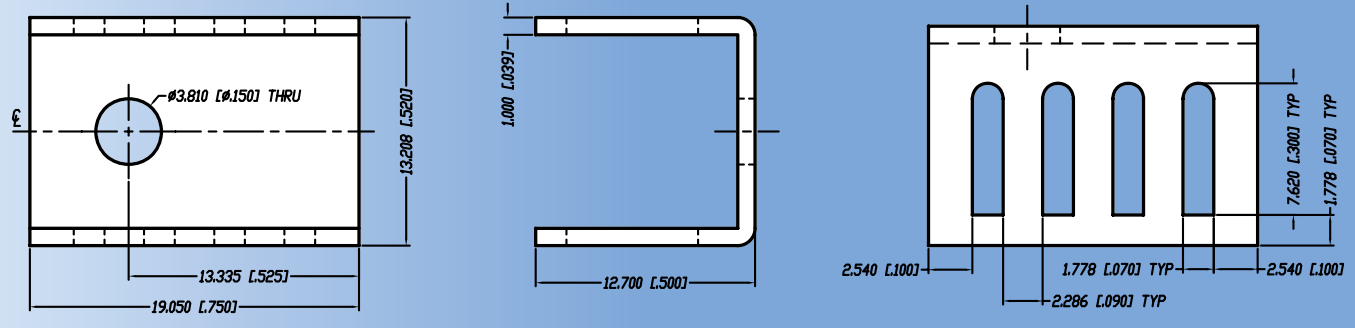
25



CSBL-136-BA-00

AL1100 Black Anodize

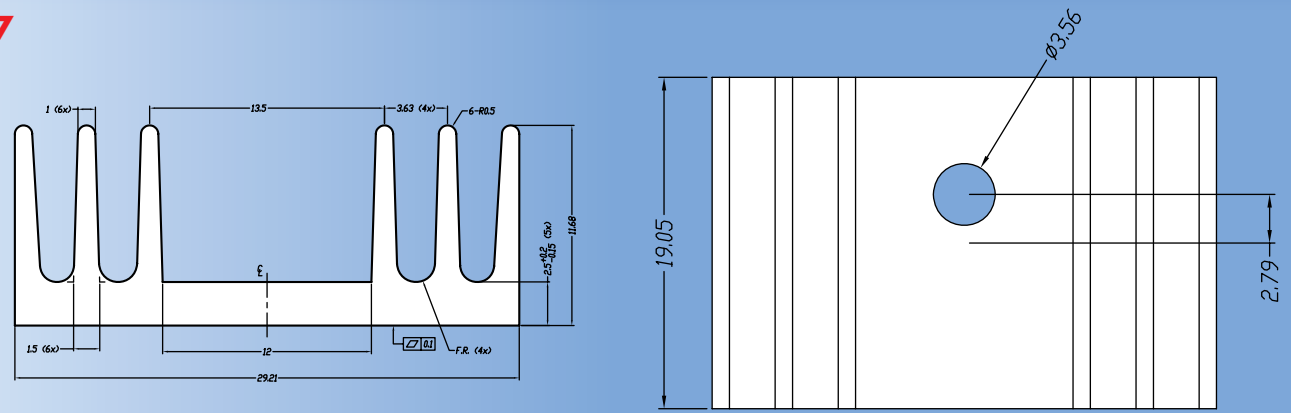
26



CSBL-137-BA-00

AL1100 Black Anodize

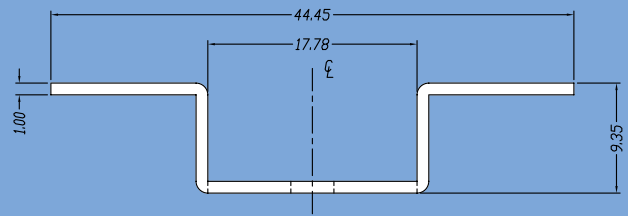
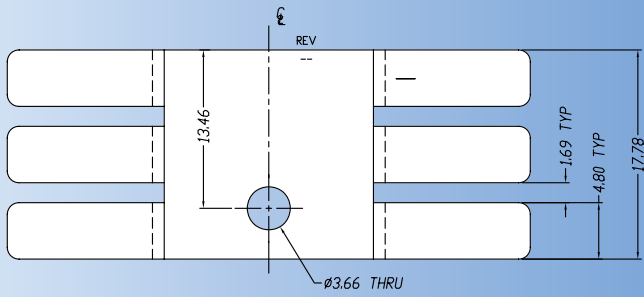
27



CSBL-138-BA-00

AL1100 Black Anodize

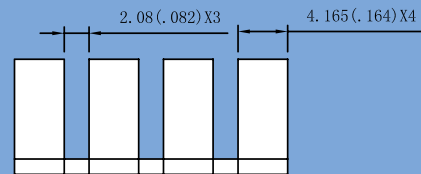
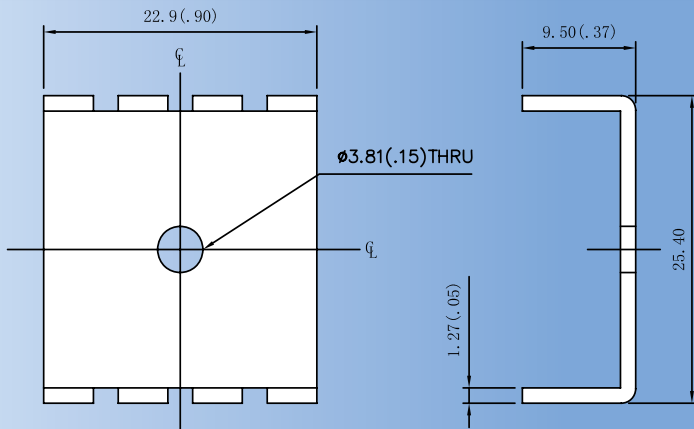
28



CSBL-139-BA-00

AL1100 Black Anodize

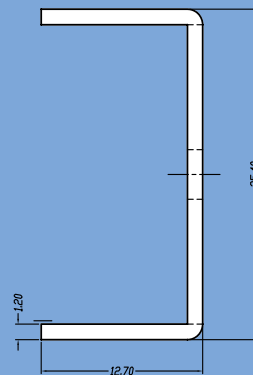
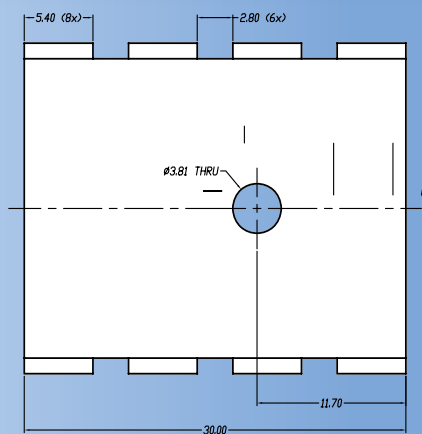
29



CSBL-140-BA-00

AL1100 Black Anodize

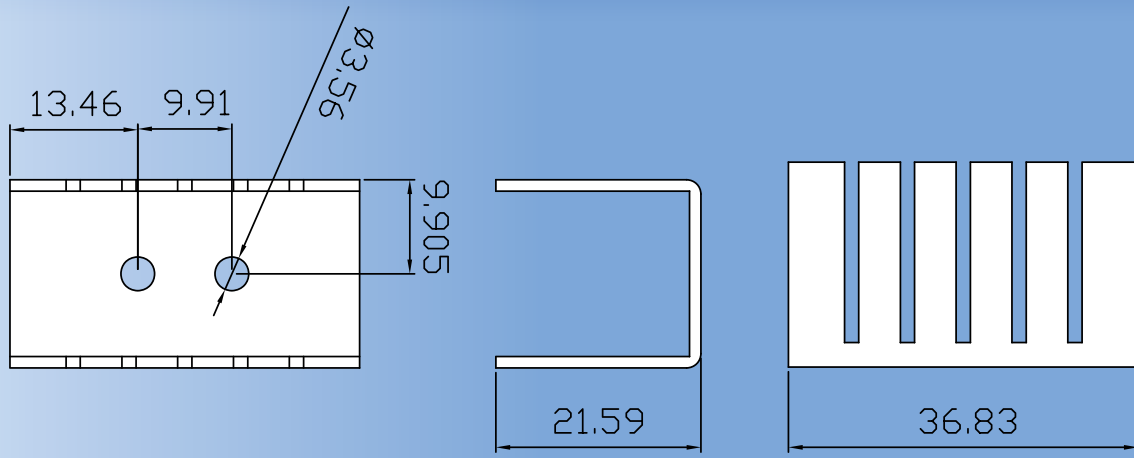
30



CSBL-141-BA-00

AL1100 Black Anodize

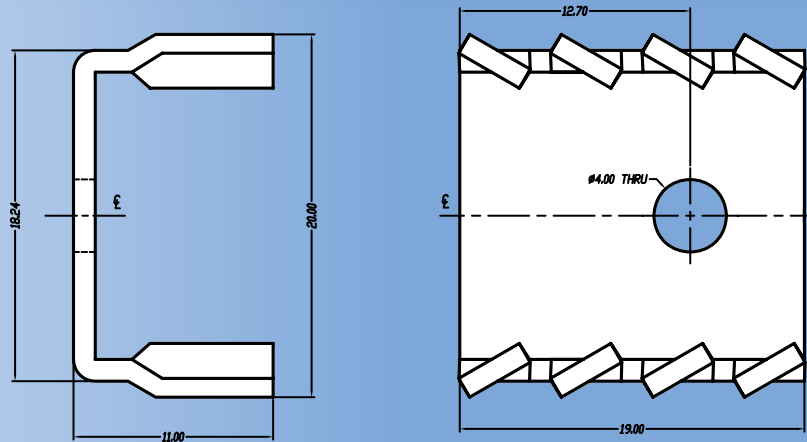
31



CSBL-142-BA-00

AL1100 Black Anodize

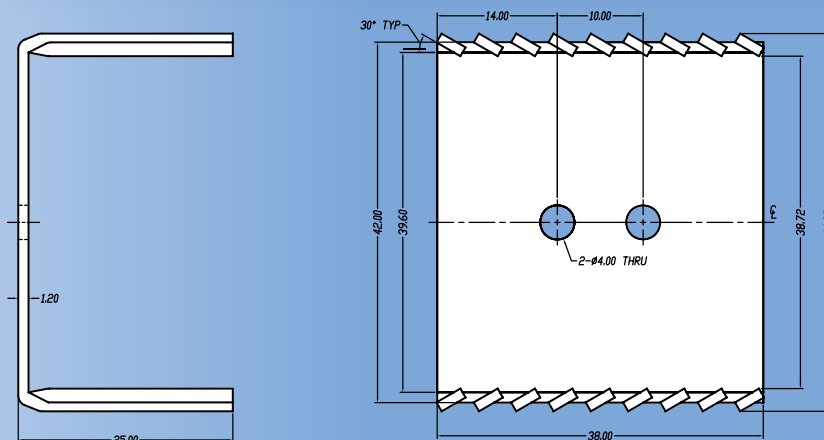
32



CSBL-143-BA-00

AL1100 Black Anodize

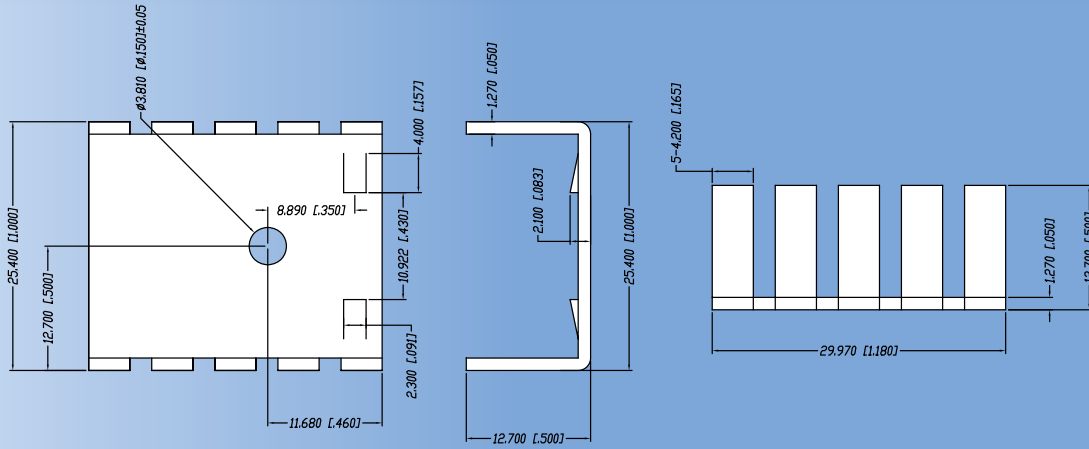
33



CSBL-144-BA-00

AL1100 Black Anodize

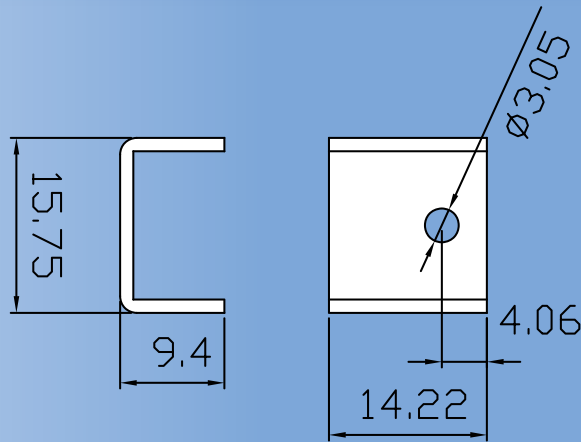
34



CSBL-145-BA-00

AL1100 Black Anodize

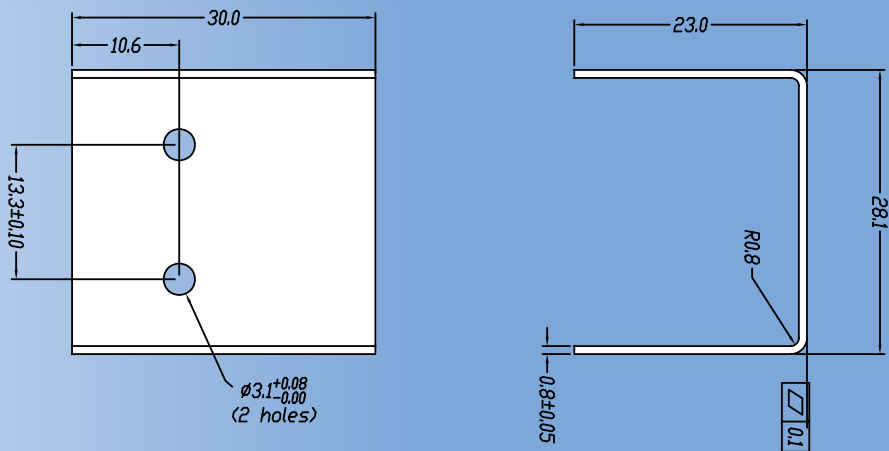
35



CSBL-146-BA-00

AL1100 Black Anodize

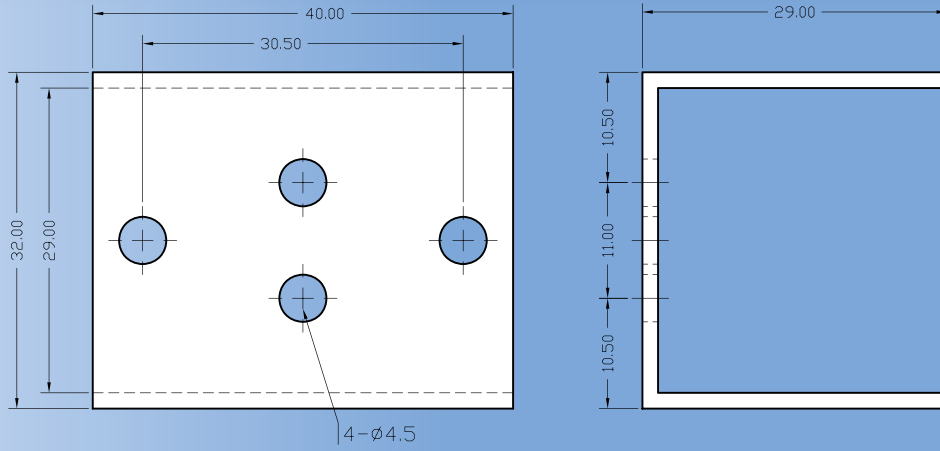
36



CSBL-147-BA-00

AL1100 Black Anodize

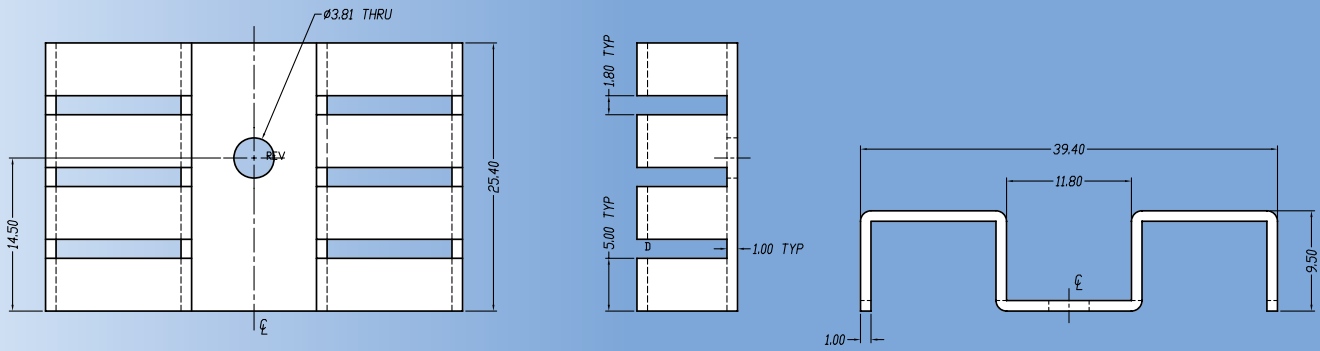
37



CSBL-148-BA-00

AL1100 Black Anodize

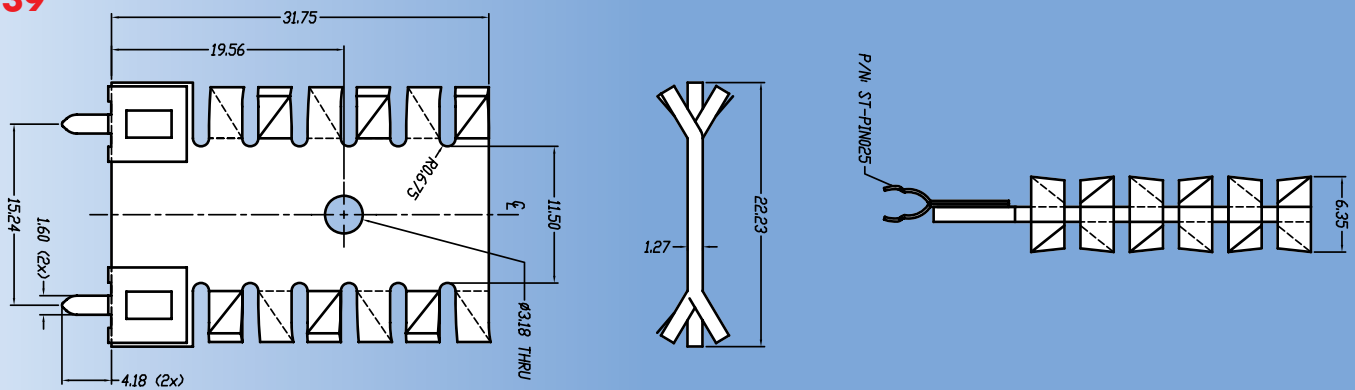
38



CSBL-149-BA-00

AL1100 Black Anodize

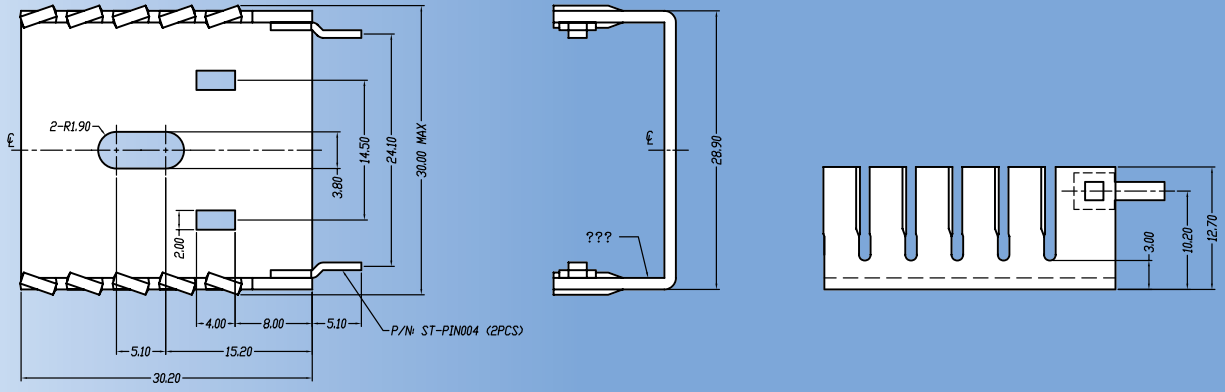
39



CSBL-150-BA-00

AL1100 Black Anodize

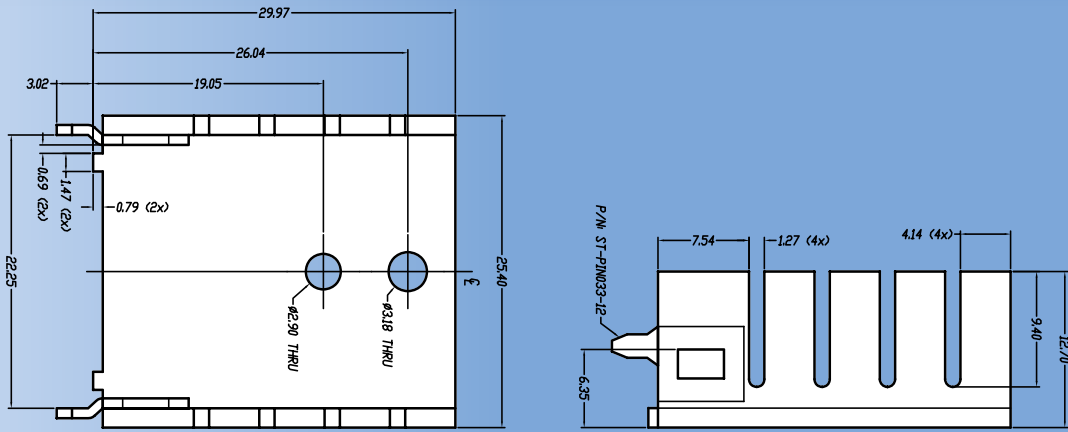
40



CSBL-151-BA-00

AL1100 Black Anodize

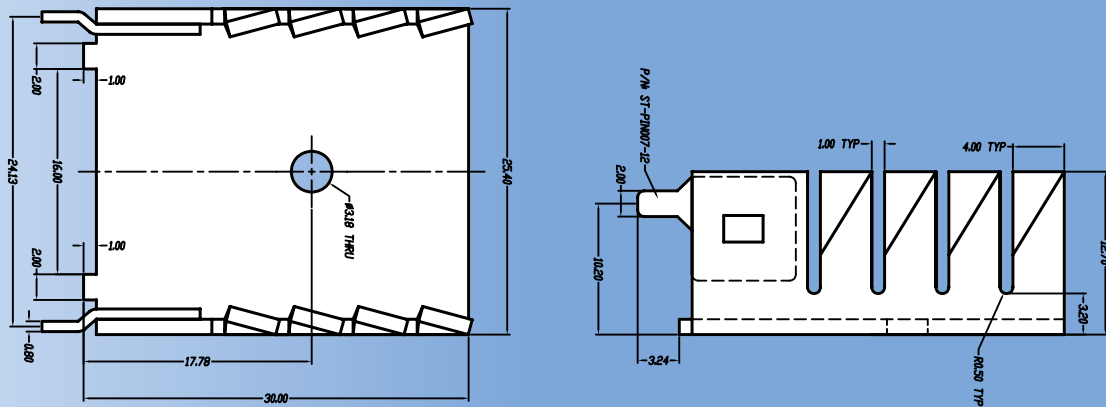
41



CSBL-152-BA-00

AL1100 Black Anodize

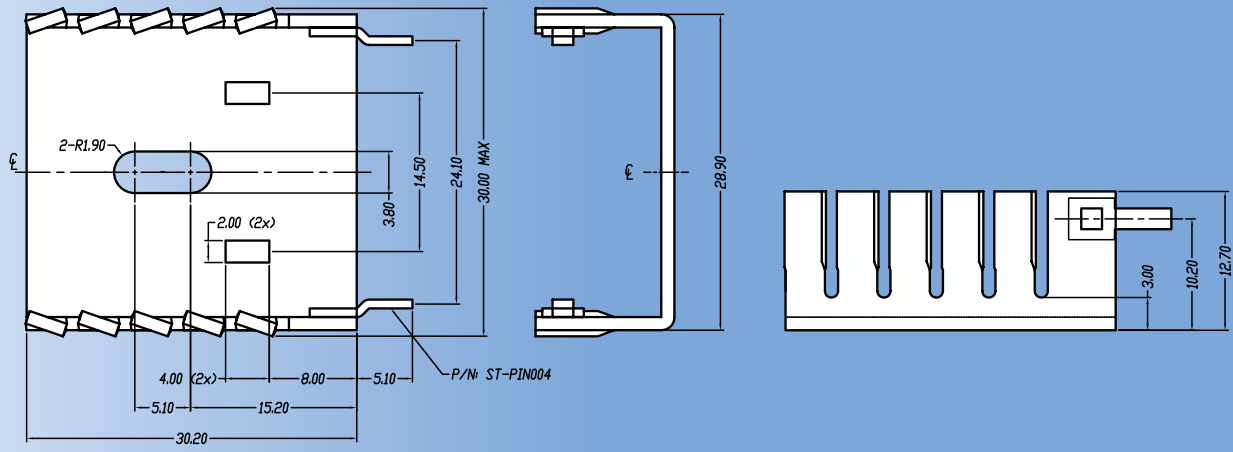
42



CSBL-153-BA-00

AL1100 Black Anodize

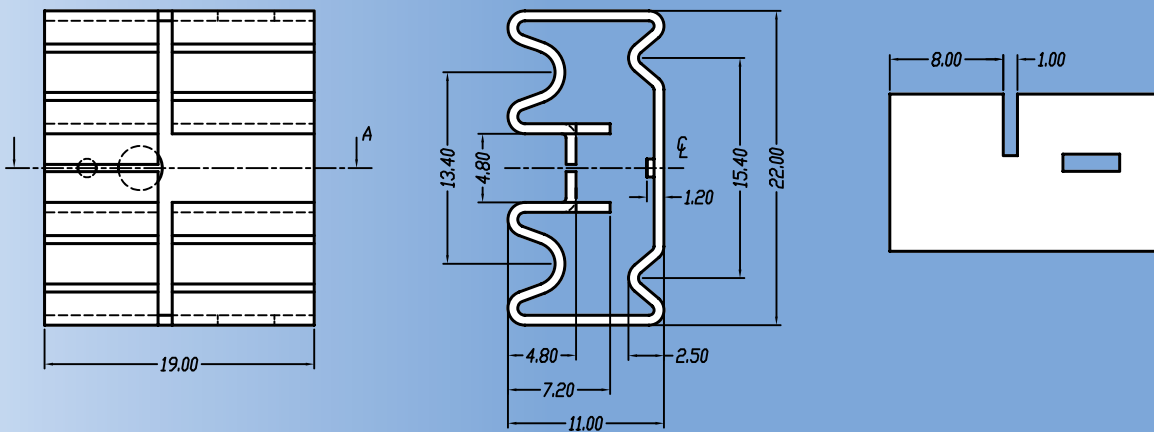
43



CSBL-154-BA-00

AL1100 Black Anodize

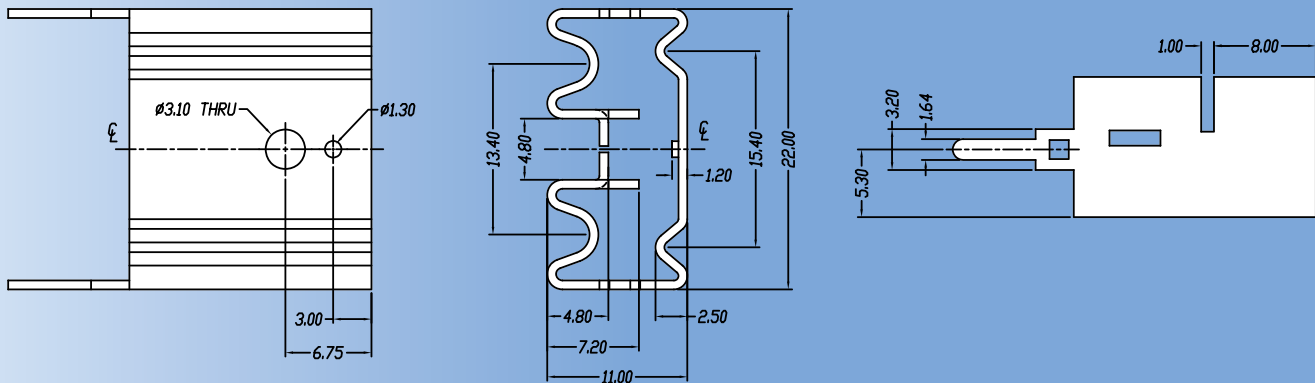
44



CSBL-155-BA-00

AL5052 Tin plating

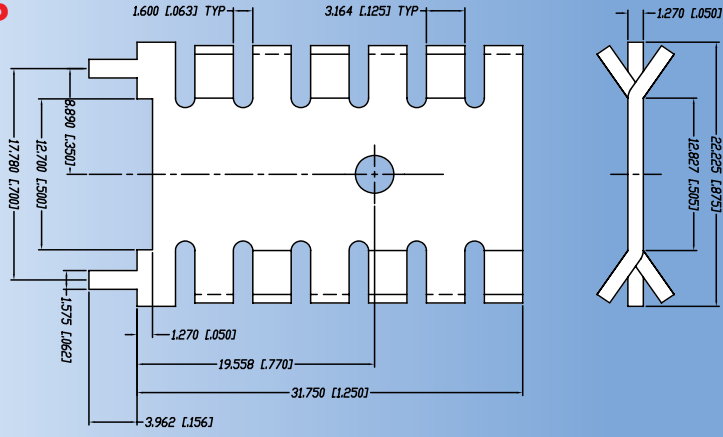
45



CSBL-156-BA-00

AL1100 Black Anodize

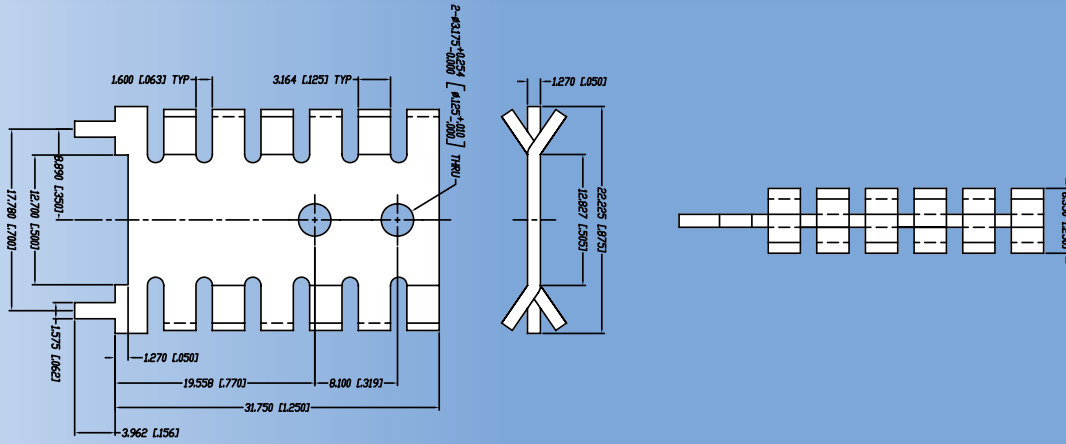
46



CSBL-157-BA-00

Copper Tin plating

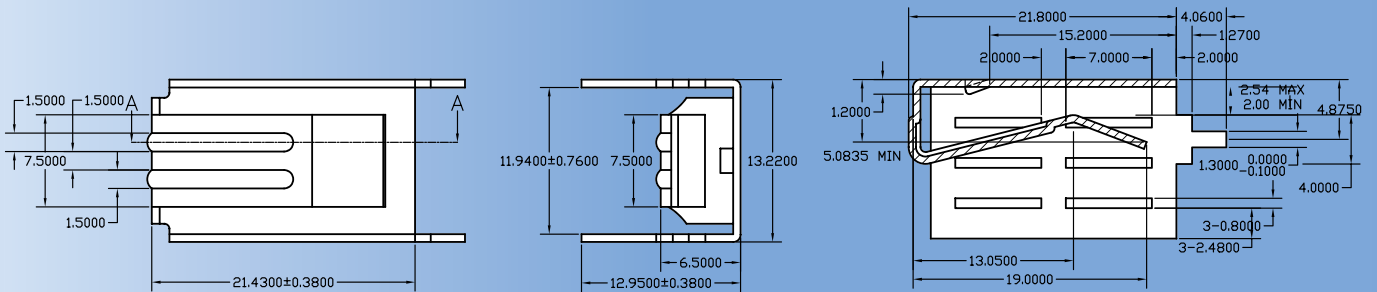
47



CSBL-158-BA-00

Copper Tin plating

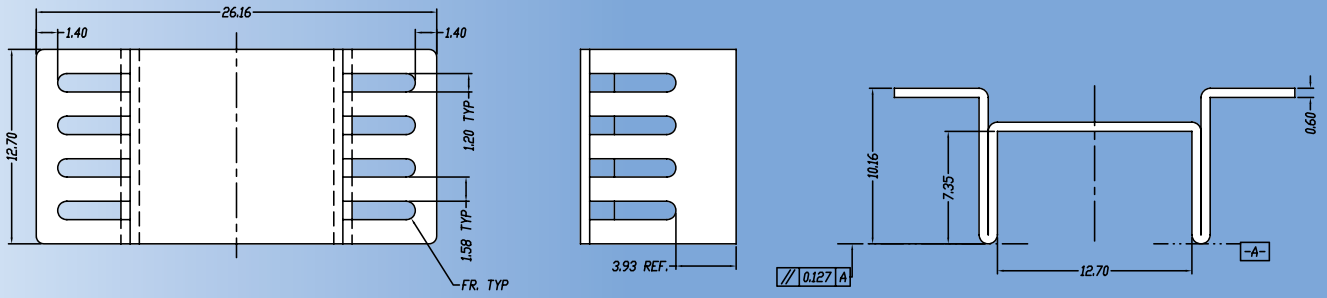
48



CSBL-159-BA-00

Copper Tin plating

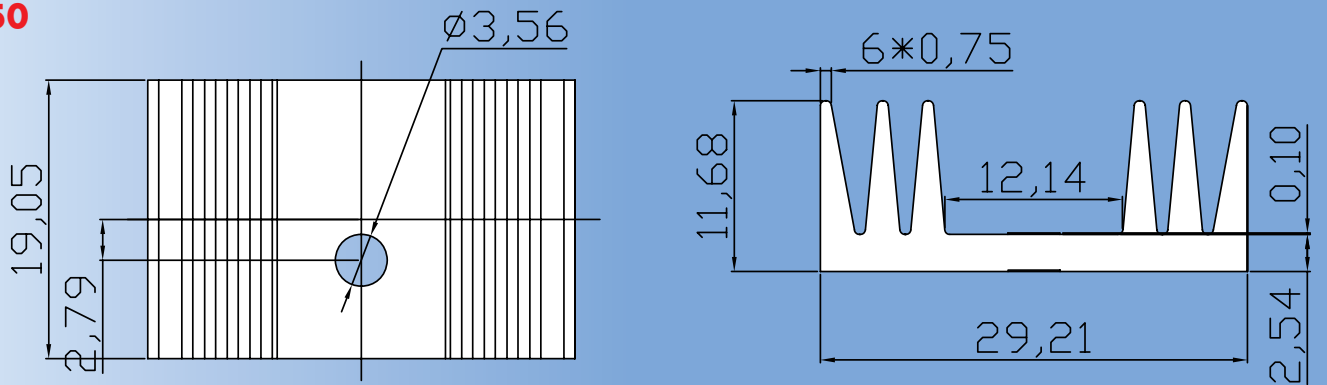
49



CSBL-160-BA-00

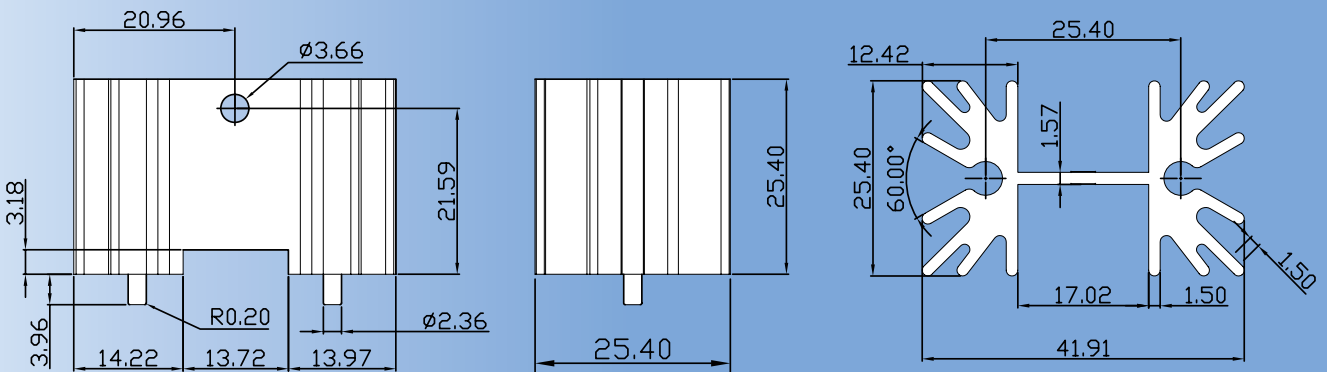
Copper Tin plating

50



CSBL-163-BA-00

51

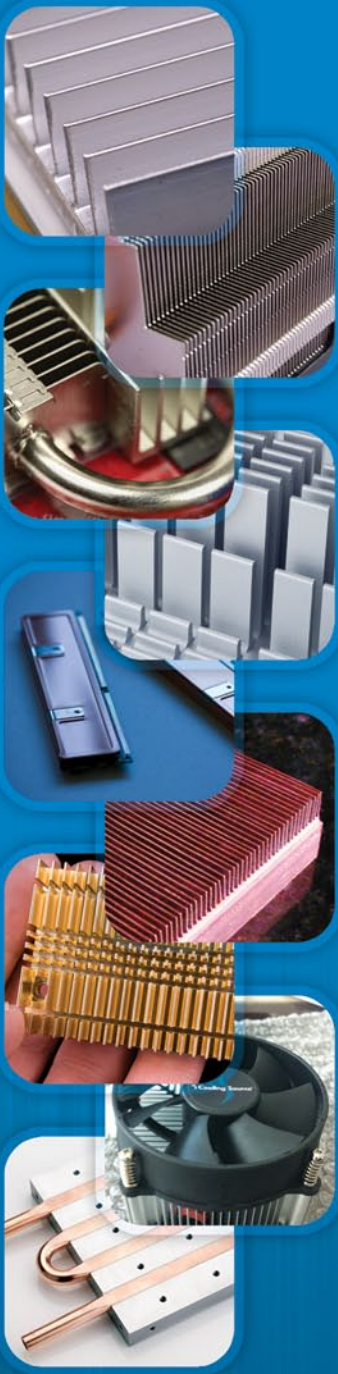


CSBL-164-BA-00



AL1100 Black Anodize

Black Anodize



- *Bonded Fin Heat sink*
- *Stamped Fin*
- *Heat-pipe Assembly*
- *Precision Forging*
- *Die Casting*
- *Skived Fin*
- *Extrusion*
- *Fansink*
- *Cold Plate*

3111 Independence Drive
Livermore, CA 94551

Tel: 888.509.2665
Tel: 925.292.1293
Fax: 925.292.5061

Represented by:

The DiMaggio Technical Products Group

Peter J. DiMaggio

President
(978) 846-0463
peterjdimaggio@TDTPG.com
www.TDTPG.com



Manufacturers Representative to the high tech of New England

www.coolingsource.com