

Represented by:

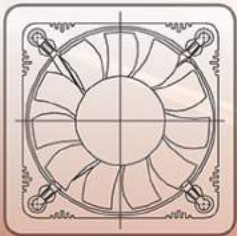
The DiMaggio Technical Products Group

Peter J. DiMaggio

President
(978) 846-0463
peterjdimaggio@TDTPG.com
www.TDTPG.com



Manufacturers Representative to the high tech of New England



 **Cooling Source[®]**

Quality Thermal Design Solutions



MISSION STATEMENT

Cooling Source aims to deliver the highest value of services and products in a timely manner to our customers as the premier thermal solutions manufacturer, designer and service company.

COMPANY INTRODUCTION

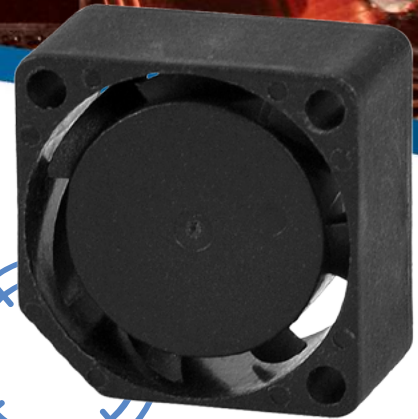
Cooling Source, Inc. offers the most comprehensive value-added standard and custom heat sink and fan solutions, including the latest technology to a wide range of markets. We provide design assistance and thermal analysis to help you achieve your goals. We will deliver the highest value to our customers as the premier manufacturer, designer and Service Company.

Our ISO 9001-2015 certified manufacturing plants are based in China and Silicon Valley, California. We are an ITAR registered company. Cooling Source continues to strive for excellence to ensure you the lowest cost and best quality.

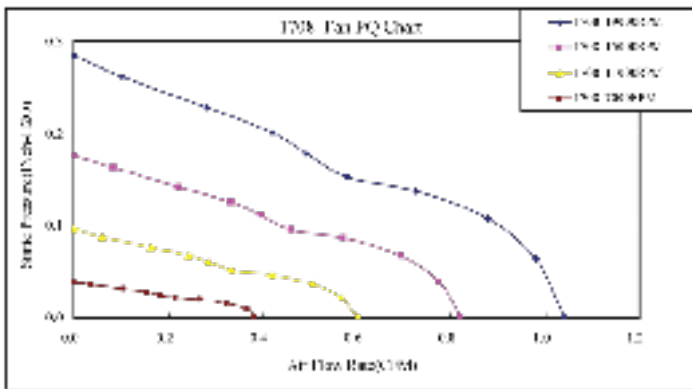


Call or e-mail us today to see what we can do for you and your company.

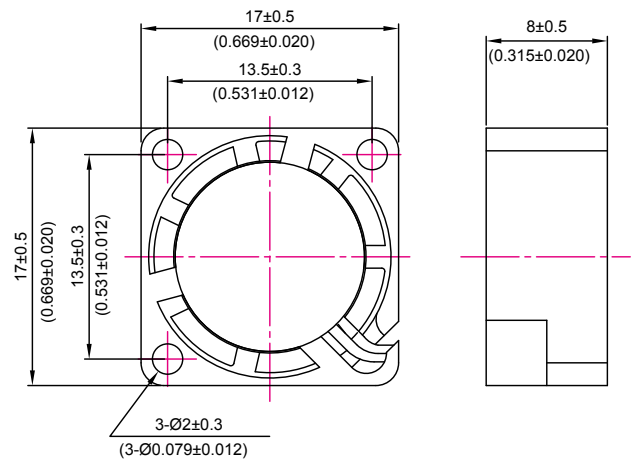
I708 series 17x17x08 mm



P&Q Curve



Dimensions Drawing



Specifications

UNIT:MM/(INCH)

Model	Rated Voltage (VDC)	Rated Current (AMP)	Power Consumption (WATTS)	Speed Reference (RPM)	Air Flow (CFM)	Static Pressure (Inch-H ₂ O)	Noise (dBA)
CS1708HH05X	5	0.22	1.1	19000	1.04	0.28	<26.9
CS1708H05X	5	0.18	0.9	15000	0.82	0.18	<21.7
CS1708M05X	5	0.08	0.4	11000	0.6	0.1	<15
CS1708L05X	5	0.07	0.35	7000	0.38	0.04	<5.2

- ▶ Material:impeller & Frame:Plastic(UL 94V-0)
- ▶ Lead Wires:
UL 1007 AWG #28 Or Equivalent
Red Wire Positive(+), Black Wire Negative(-), Yellow Wire Or Blue Wire Signal(FG)
- ▶ Function type is optional.

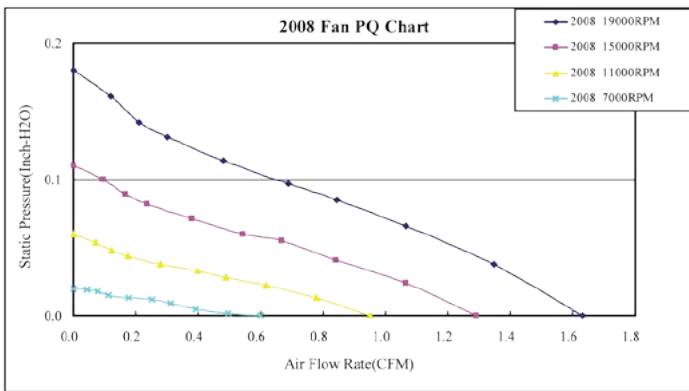
- ▶ The max air flow and the speed are measured in free air; max air pressure is measured at zero air flow.
- ▶ Noise is measured in anechoic chamber in free air, one meter from intake side.
- ▶ All readings are typical values at rated voltage.
- ▶ Specifications are subject to change without notice.
- ▶ Additional special function may be added according the requirement of customer.



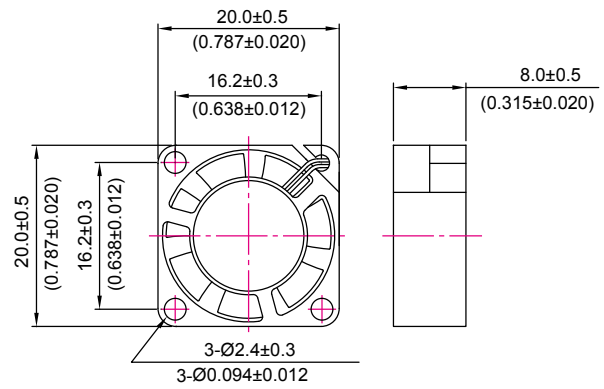
2008 series 20x20x08 mm



P&Q Curve



Dimensions Drawing



UNIT:MM/(INCH)

Specifications

Model	Rated Voltage (VDC)	Rated Current (AMP)	Power Consumption (WATTS)	Speed Reference (RPM)	Air Flow (CFM)	Static Pressure (Inch-H ₂ O)	Noise (dBA)
CS2008HH05X	5	0.24	1.2	19000	1.63	0.18	<33.1
CS2008H05X	5	0.2	1	15000	1.29	0.11	<28
CS2008M05X	5	0.16	0.8	11000	0.95	0.06	<21.3
CS2008L05X	5	0.12	0.6	7000	0.6	0.02	<11.5

2008 series

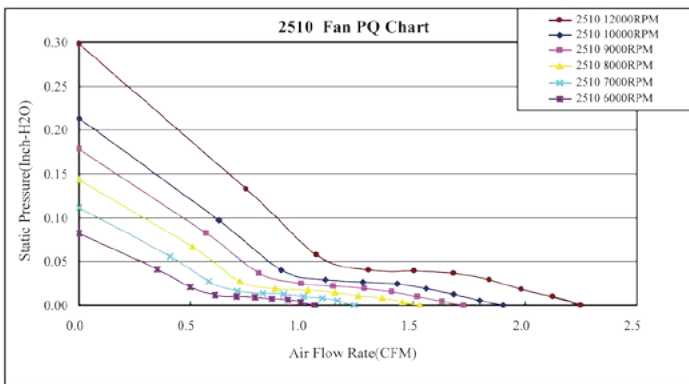
- ▶ Material:impeller & Frame:Plastic(UL 94V-0)
- ▶ Lead Wires:
UL 1007 AWG #24 Or Equivalent
Red Wire Positive(+), Black Wire Negative(-), Yellow Wire Or Blue Wire Signal(FG)
- ▶ Function type is optional.

- ▶ The max air flow and the speed are measured in free air; max air pressure is measured at zero air flow.
- ▶ Noise is measured in anechoic chamber in free air, one meter from intake side.
- ▶ All readings are typical values at rated voltage.
- ▶ Specifications are subject to change without notice.
- ▶ Additional special function may be added according the requirement of customer.

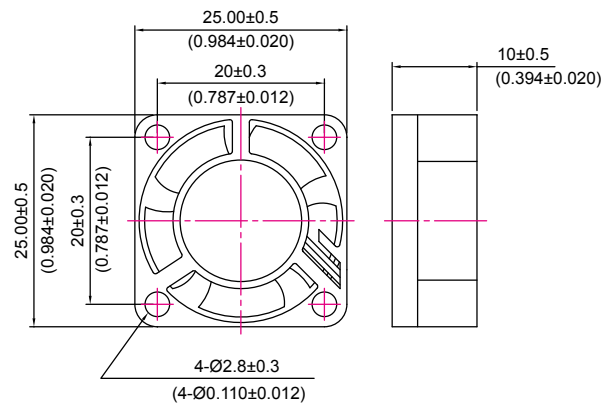
2510 series 25x25x10 mm



P&Q Curve



Dimensions Drawing



UNIT:MM/(INCH)

Specifications

Model	Rated Voltage (VDC)	Rated Current (AMP)	Power Consumption (WATTS)	Speed Reference (RPM)	Air Flow (CFM)	Static Pressure (Inch-H ₂ O)	Noise (dBA)
CS2510SH05X	5	0.24	1.2	12000	2.25	0.3	<22
CS2510HH05X	5	0.2	1	10000	1.9	0.21	<21
CS2510H05X	5	0.18	0.9	9000	1.72	0.18	<20
CS2510M05X	5	0.16	0.8	8000	1.53	0.14	<19
CS2510L05X	5	0.14	0.7	7000	1.23	0.11	<18
CS2510LL05X	5	0.12	0.6	6000	1.06	0.08	<17
CS2510SH12X	12	0.08	0.96	12000	2.25	0.3	<22
CS2510HH12X	12	0.07	0.84	10000	1.9	0.21	<21
CS2510H12X	12	0.06	0.72	9000	1.72	0.18	<20
CS2510M12X	12	0.05	0.6	8000	1.53	0.14	<19
CS2510L12X	12	0.04	0.48	7000	1.23	0.11	<18

- ▶ Material:impeller & Frame:Plastic(UL 94V-0)
- ▶ Lead Wires:
UL 1007 AWG #28 Or Equivalent
Red Wire Positive(+), Black Wire Negative(-), Yellow Wire Or Blue Wire Signal(FG)
- ▶ Function type is optional.

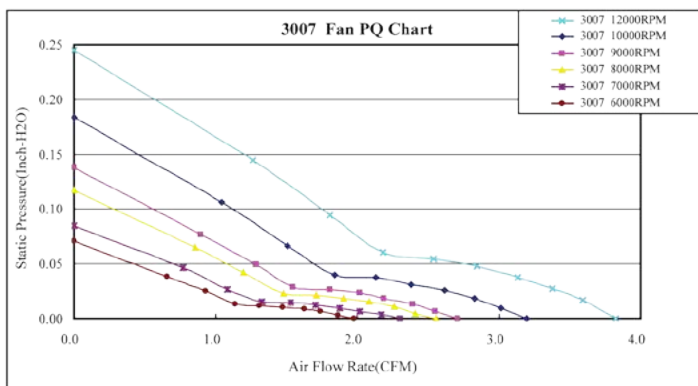
- ▶ The max air flow and the speed are measured in free air; max air pressure is measured at zero air flow.
- ▶ Noise is measured in anechoic chamber in free air, one meter from intake side.
- ▶ All readings are typical values at rated voltage.
- ▶ Specifications are subject to change without notice.
- ▶ Additional special function may be added according the requirement of customer.



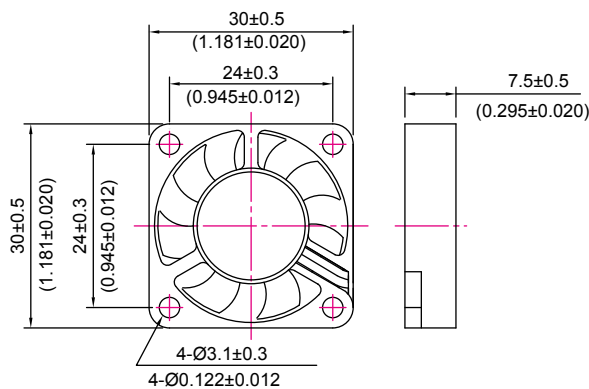
3007 series 30x30x07 mm



P&Q Curve



Dimensions Drawing



UNIT:MM/(INCH)

Specifications

Model	Rated Voltage (VDC)	Rated Current (AMP)	Power Consumption (WATTS)	Speed Reference (RPM)	Air Flow (CFM)	Static Pressure (Inch-H ₂ O)	Noise (dBA)
CS3007SH05X	5	0.22	1.1	12000	3.82	0.25	<36.2
CS3007HH05X	5	0.18	0.9	10000	3.2	0.18	<30
CS3007H05X	5	0.16	0.8	9000	2.71	0.14	<26
CS3007M05X	5	0.14	0.7	8000	2.56	0.12	<21
CS3007L05X	5	0.12	0.6	7000	2.3	0.09	<17
CS3007LL05X	5	0.1	0.5	6000	1.98	0.07	<13.7
CS3007SH12X	12	0.14	1.68	12000	3.82	0.25	<36.2
CS3007HH12X	12	0.11	1.32	10000	3.2	0.18	<30
CS3007H12X	12	0.09	1.08	9000	2.71	0.14	<26
CS3007M12X	12	0.08	0.96	8000	2.56	0.12	<21
CS3007L12X	12	0.06	0.72	7000	2.3	0.09	<17

3007 series

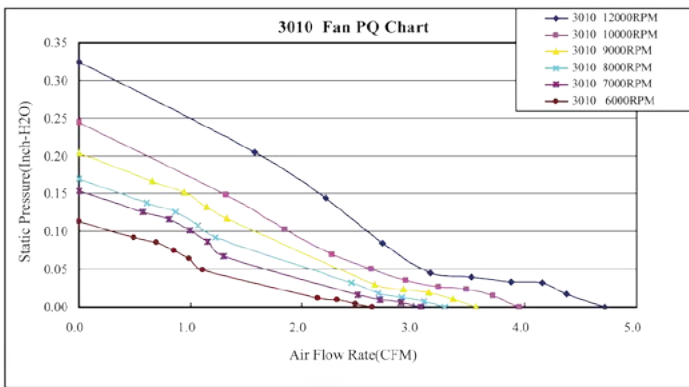
- ▶ Material:impeller & Frame:Plastic(UL 94V-0)
- ▶ Lead Wires:
UL 1007 AWG #24 Or Equivalent
Red Wire Positive(+), Black Wire Negative(-), Yellow Wire Or Blue Wire Signal(FG)
- ▶ Function type is optional.

- ▶ The max air flow and the speed are measured in free air; max air pressure is measured at zero air flow.
- ▶ Noise is measured in anechoic chamber in free air, one meter from intake side.
- ▶ All readings are typical values at rated voltage.
- ▶ Specifications are subject to change without notice.
- ▶ Additional special function may be added according the requirement of customer.

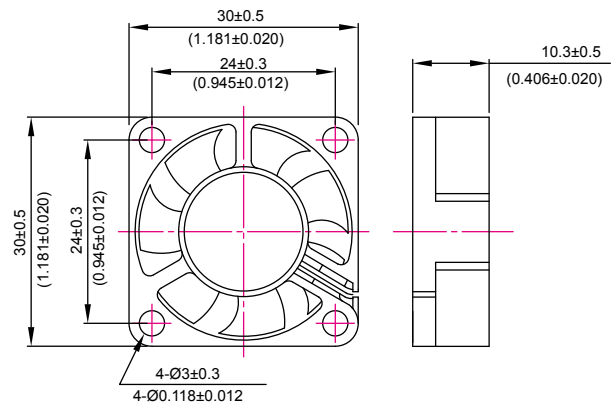
3010 series 30x30x10 mm



P&Q Curve



Dimensions Drawing



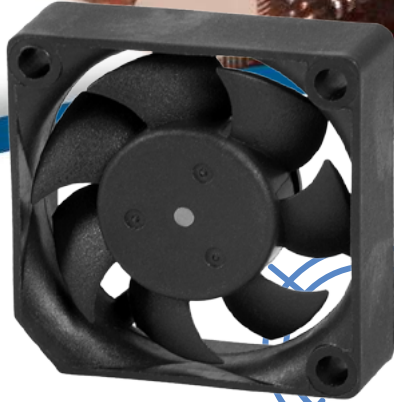
UNIT:MM/(INCH)

Specifications

Model	Rated Voltage (VDC)	Rated Current (AMP)	Power Consumption (WATTS)	Speed Reference (RPM)	Air Flow (CFM)	Static Pressure (Inch-H ₂ O)	Noise (dBA)
CS3010SH05X	5	0.26	1.3	12000	4.71	0.33	<33.2
CS3010HH05X	5	0.24	1.2	10000	3.95	0.24	<29.3
CS3010H05X	5	0.20	1.0	9000	3.56	0.20	<27
CS3010M05X	5	0.18	0.9	8000	3.28	0.17	<22
CS3010L05X	5	0.16	0.8	7000	3.07	0.15	<18
CS3010LL05X	5	0.14	0.7	6000	2.63	0.11	<16
CS3010SH12X	12	0.15	1.8	12000	4.71	0.33	<33.2
CS3010HH12X	12	0.13	1.56	10000	3.95	0.24	<29.3
CS3010H12X	12	0.11	1.32	9000	3.56	0.20	<27
CS3010M12X	12	0.08	0.96	8000	3.28	0.17	<22
CS3010L12X	12	0.06	0.72	7000	3.07	0.15	<18

- ▶ Material:impeller & Frame:Plastic(UL 94V-0)
- ▶ Lead Wires:
UL 1007 AWG #28 Or Equivalent
Red Wire Positive(+), Black Wire Negative(-), Yellow Wire Or Blue Wire Signal(FG)
- ▶ Function type is optional.

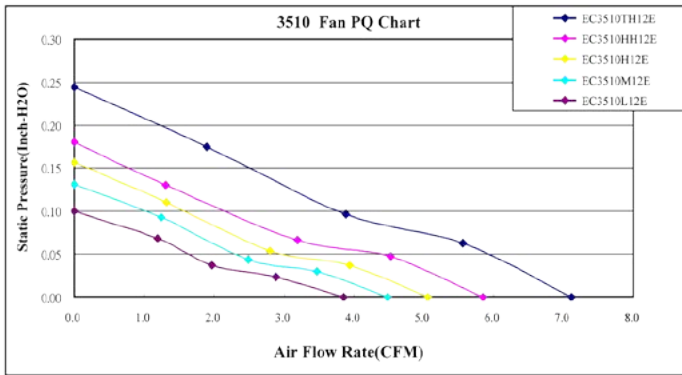
- ▶ The max air flow and the speed are measured in free air; max air pressure is measured at zero air flow.
- ▶ Noise is measured in anechoic chamber in free air, one meter from intake side.
- ▶ All readings are typical values at rated voltage.
- ▶ Specifications are subject to change without notice.
- ▶ Additional special function may be added according the requirement of customer.



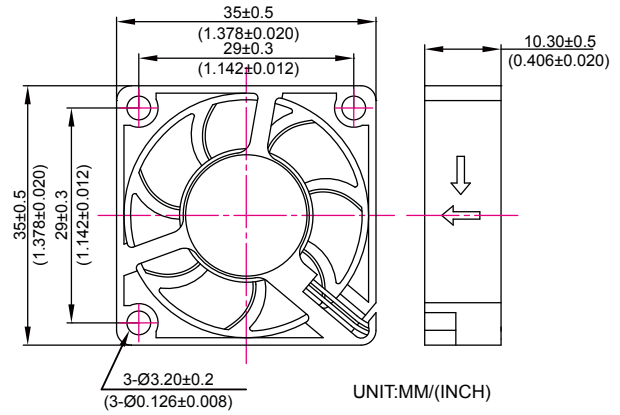
3510 series 35x35x10 mm



P&Q Curve



Dimensions Drawing



Specifications

Model	Rated Voltage (VDC)	Rated Current (AMP)	Power Consumption (WATTS)	Speed Reference (RPM)	Air Flow (CFM)	Static Pressure (Inch-H ₂ O)	Noise (dBA)
CS3510SH12X	12	0.2	2.4	12000	7.12	0.23	<37
CS3510HH12X	12	0.16	1.92	10000	6.54	0.19	<34
CS3510H12X	12	0.12	1.44	9000	5.53	0.14	<32
CS3510M12X	12	0.1	1.2	8000	4.49	0.13	<29
CS3510L12X	12	0.09	1.08	7000	3.96	0.09	<25

3510 series

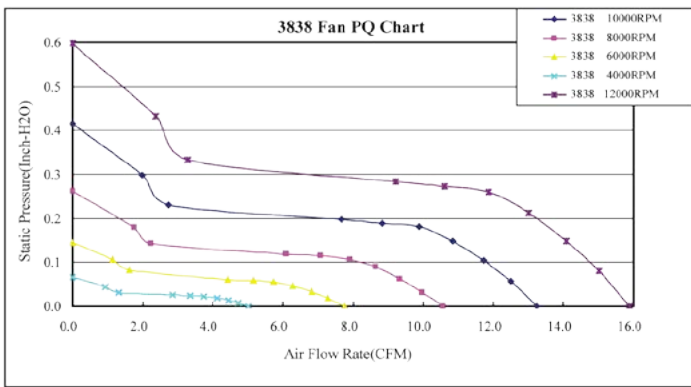
- ▶ Material:impeller & Frame:Plastic(UL 94V-0)
- ▶ Lead Wires:
UL 1007 AWG #28 Or Equivalent
Red Wire Positive(+), Black Wire Negative(-), Yellow Wire Or Blue Wire Signal(FG)
- ▶ Function type is optional.

- ▶ The max air flow and the speed are measured in free air; max air pressure is measured at zero air flow.
- ▶ Noise is measured in anechoic chamber in free air, one meter from intake side.
- ▶ All readings are typical values at rated voltage.
- ▶ Specifications are subject to change without notice.
- ▶ Additional special function may be added according the requirement of customer.

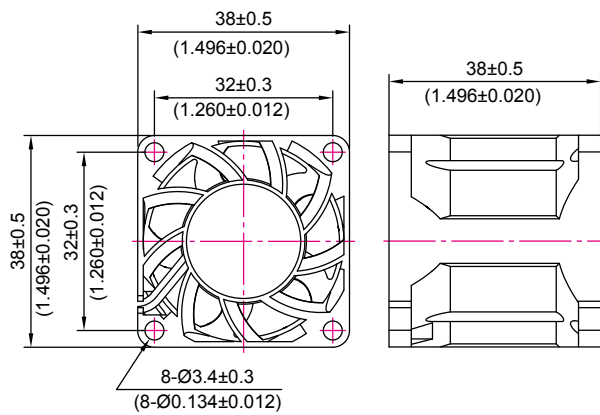
3838 series 38x38x38 mm



P&Q Curve



Dimensions Drawing



UNIT:MM/(INCH)

Specifications

Model	Rated Voltage (VDC)	Rated Current (AMP)	Power Consumption (WATTS)	Speed Reference (RPM)	Air Flow (CFM)	Static Pressure (Inch-H ₂ O)	Noise (dBA)
CS3838M05X	5	0.3	1.5	8000	10.56	0.26	<35
CS3838L05X	5	0.2	1	6000	7.76	0.14	<28
CS3838LL05X	5	0.1	0.5	4000	5.03	0.07	<19.2
CS3838HH12X	12	0.44	5.28	12000	15.88	0.6	<45
CS3838H12X	12	0.3	3.6	10000	13.25	0.42	<41
CS3838M12X	12	0.16	1.92	8000	10.56	0.26	<35
CS3838L12X	12	0.12	1.44	6000	7.76	0.14	<28
CS3838LL12X	12	0.08	0.96	4000	5.03	0.07	<19.2
CS3838HH24X	24	0.26	6.24	12000	15.88	0.6	<45
CS3838H24X	24	0.2	4.8	10000	13.25	0.42	<41
CS3838M24X	24	0.14	3.36	8000	10.56	0.26	<35
CS3838L24X	24	0.08	1.92	6000	7.76	0.14	<28

- ▶ Material:impeller & Frame:Plastic(UL 94V-0)
- ▶ Lead Wires:
UL 1007 AWG #28 Or Equivalent
Red Wire Positive(+), Black Wire Negative(-), Yellow Wire Or Blue Wire Signal(FG)
- ▶ Function type is optional.

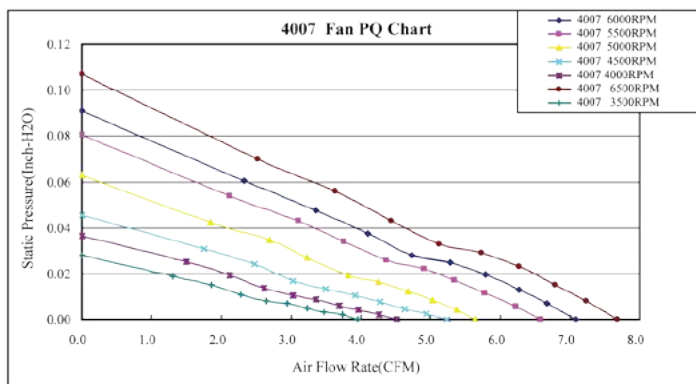
- ▶ The max air flow and the speed are measured in free air; max air pressure is measured at zero air flow.
- ▶ Noise is measured in anechoic chamber in free air, one meter from intake side.
- ▶ All readings are typical values at rated voltage.
- ▶ Specifications are subject to change without notice.
- ▶ Additional special function may be added according the requirement of customer.



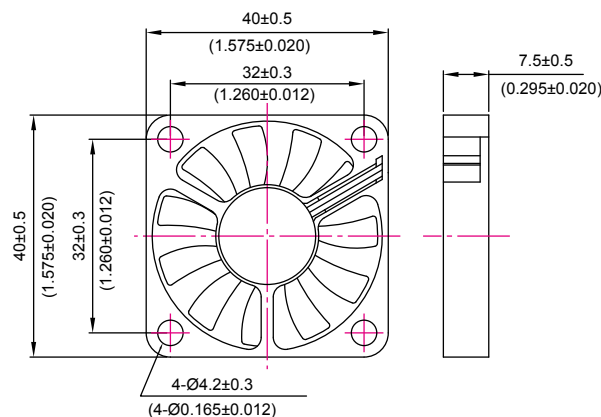
4007 series 40x40x07 mm



P&Q Curve



Dimensions Drawing



UNIT:MM/(INCH)

Specifications

Model	Rated Voltage (VDC)	Rated Current (AMP)	Power Consumption (WATTS)	Speed Reference (RPM)	Air Flow (CFM)	Static Pressure (Inch-H ₂ O)	Noise (dBA)
CS4007HH05X	5	0.32	1.6	5500	6.58	0.08	<25
CS4007H05X	5	0.26	1.3	5000	5.64	0.06	<22
CS4007M05X	5	0.2	1	4500	5.23	0.05	<21
CS4007L05X	5	0.16	0.8	4000	4.51	0.04	<20
CS4007LL05X	5	0.12	0.6	3500	3.95	0.03	<17.1
CS4007HH12X	12	0.18	2.16	5500	6.58	0.08	<25
CS4007H12X	12	0.12	1.44	5000	5.64	0.06	<22
CS4007M12X	12	0.09	1.08	4500	5.23	0.05	<21
CS4007L12X	12	0.07	0.84	4000	4.51	0.04	<20

4007 series

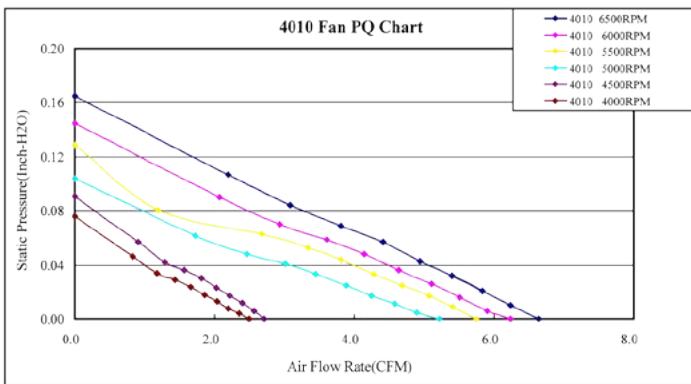
- ▶ Material:impeller & Frame:Plastic(UL 94V-0)
- ▶ Lead Wires:
UL 1007 AWG #24 Or Equivalent
Red Wire Positive(+), Black Wire Negative(-), Yellow Wire Or Blue Wire Signal(FG)
- ▶ Function type is optional.

- ▶ The max air flow and the speed are measured in free air; max air pressure is measured at zero air flow.
- ▶ Noise is measured in anechoic chamber in free air, one meter from intake side.
- ▶ All readings are typical values at rated voltage.
- ▶ Specifications are subject to change without notice.
- ▶ Additional special function may be added according the requirement of customer.

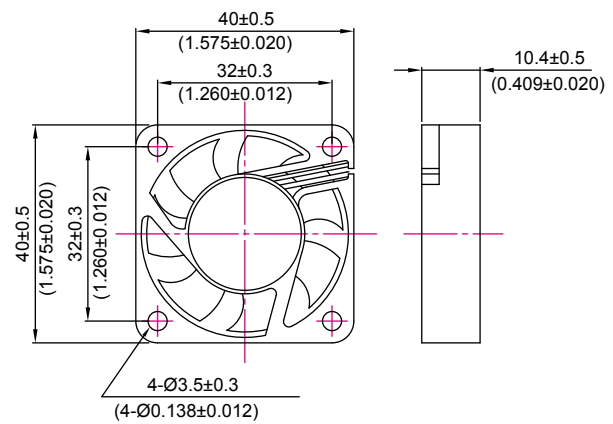
4010 series 40x40x10 mm



P&Q Curve



Dimensions Drawing



UNIT:MM/(INCH)

Specifications

Model	Rated Voltage (VDC)	Rated Current (AMP)	Power Consumption (WATTS)	Speed Reference (RPM)	Air Flow (CFM)	Static Pressure (Inch-H ₂ O)	Noise (dBA)
CS4010HH05X	5	0.18	0.9	6000	6.24	0.15	<25
CS4010H05X	5	0.14	0.7	5500	5.75	0.13	<23
CS4010M05X	5	0.12	0.6	5000	5.22	0.1	<21
CS4010L05X	5	0.1	0.5	4500	4.27	0.09	<19
CS4010LL05X	5	0.08	0.4	4000	3.78	0.08	<17
CS4010TH12X	12	1.2	1.44	6500	6.64	0.16	<26
CS4010HH12X	12	0.1	1.2	6000	6.24	0.15	<25
CS4010H12X	12	0.08	0.96	5500	5.75	0.13	<23
CS4010M12X	12	0.07	0.84	5000	5.22	0.1	<21
CS4010L12X	12	0.05	0.6	4500	4.27	0.09	<19
CS4010LL12X	12	0.04	0.48	4000	3.78	0.08	<17
CS4010SL12X	12	0.03	0.36	3500	2.96	0.06	<16

- ▶ Material:impeller & Frame:Plastic(UL 94V-0)
- ▶ Lead Wires:
UL 1007 AWG #28 Or Equivalent
Red Wire Positive(+), Black Wire Negative(-), Yellow Wire Or Blue Wire Signal(FG)
- ▶ Function type is optional.

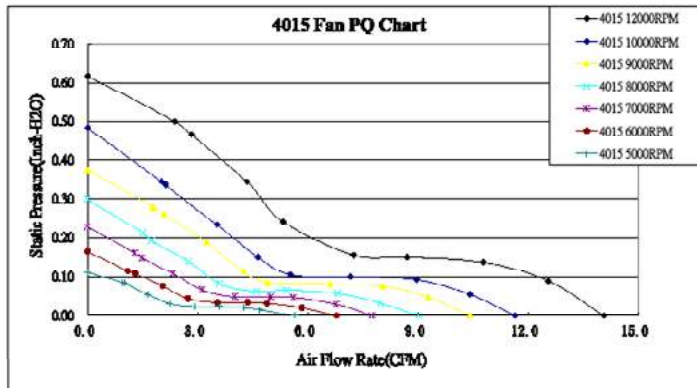
- ▶ The max air flow and the speed are measured in free air; max air pressure is measured at zero air flow.
- ▶ Noise is measured in anechoic chamber in free air, one meter from intake side.
- ▶ All readings are typical values at rated voltage.
- ▶ Specifications are subject to change without notice.
- ▶ Additional special function may be added according the requirement of customer.



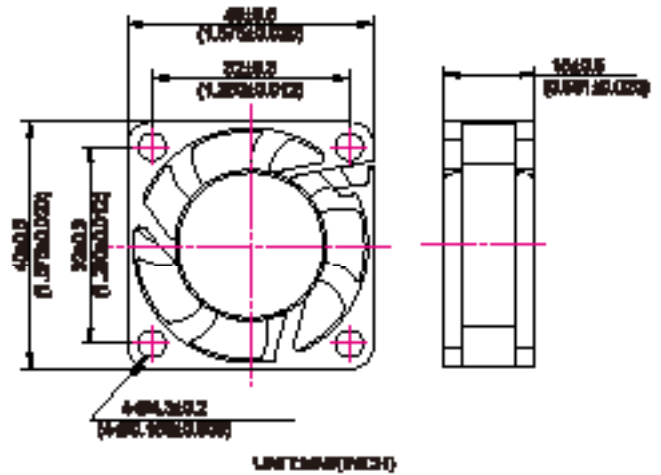
4015 series 40x40x15 mm



P&Q Curve



Dimensions Drawing



Specifications

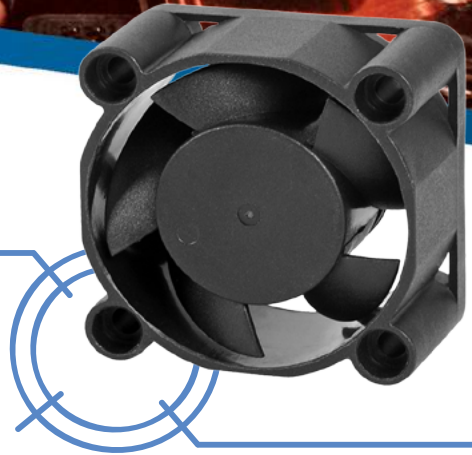
Model	Rated Voltage (VDC)	Rated Current (AMP)	Power Consumption (WATTS)	Speed Reference (RPM)	Air Flow (CFM)	Static Pressure (Inch-H ₂ O)	Noise (dBA)
CS4015SH12X	12	0.3	3.6	12000	14.06	0.62	<38
CS4015TH12X	12	0.26	3.12	10000	11.64	0.48	<32
CS4015HH12X	12	0.2	2.4	9000	10.41	0.38	<29.5
CS4015H12X	12	0.17	2.04	8000	9.03	0.3	<27
CS4015M12X	12	0.15	1.8	7000	7.76	0.23	<24.3
CS4015L12X	12	0.13	1.56	6000	6.78	0.17	<21
CS4015LL12X	12	0.11	1.32	5000	5.65	0.11	<17

4015 series

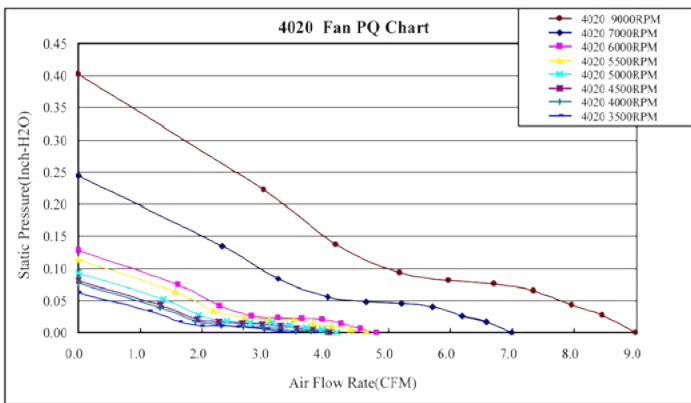
- ▶ Material: impeller & Frame: Plastic (UL 94V-0)
- ▶ Lead Wires:
UL 1007 AWG #28 Or Equivalent
Red Wire Positive(+), Black Wire Negative(-), Yellow Wire Or Blue Wire Signal(FG)
- ▶ Function type is optional.

- ▶ The max air flow and the speed are measured in free air; max air pressure is measured at zero air flow.
- ▶ Noise is measured in anechoic chamber in free air, one meter from intake side.
- ▶ All readings are typical values at rated voltage.
- ▶ Specifications are subject to change without notice.
- ▶ Additional special function may be added according the requirement of customer.

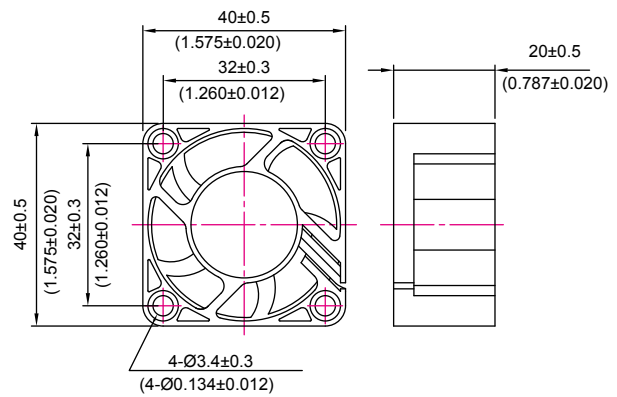
4020 series 40x40x20 mm



P&Q Curve



Dimensions Drawing



UNIT:MM/(INCH)

Specifications

Model	Rated Voltage (VDC)	Rated Current (AMP)	Power Consumption (WATTS)	Speed Reference (RPM)	Air Flow (CFM)	Static Pressure (Inch-H ₂ O)	Noise (dBA)
CS4020TH05X	5	0.2	1	7000	6.99	0.24	<27
CS4020HH05X	5	0.16	0.8	6000	4.82	0.13	<25
CS4020H05X	5	0.14	0.7	5500	4.65	0.11	<23
CS4020M05X	5	0.12	0.6	5000	4.17	0.09	<21
CS4020L05X	5	0.1	0.5	4500	4.05	0.08	<20
CS4020LL05X	5	0.08	0.4	4000	3.98	0.07	<19
CS4020SL05X	5	0.07	0.35	3500	3.45	0.06	<18
CS4020SH12X	12	0.14	1.68	9000	8.99	0.4	<32
CS4020HH12X	12	0.11	1.32	6000	4.82	0.13	<25
CS4020H12X	12	0.1	1.2	5500	4.65	0.11	<23
CS4020M12X	12	0.08	0.96	5000	4.17	0.09	<21
CS4020L12X	12	0.06	0.72	4500	4.05	0.08	<20
CS4020LL12X	12	0.05	0.6	4000	3.98	0.07	<19

- ▶ Material:impeller & Frame:Plastic(UL 94V-0)
- ▶ Lead Wires:
UL 1007 AWG #28 Or Equivalent
Red Wire Positive(+), Black Wire Negative(-), Yellow Wire Or Blue Wire Signal(FG)
- ▶ Function type is optional.

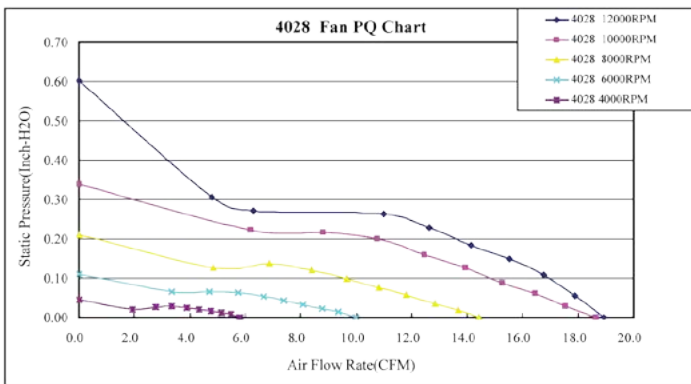
- ▶ The max air flow and the speed are measured in free air; max air pressure is measured at zero air flow.
- ▶ Noise is measured in anechoic chamber in free air, one meter from intake side.
- ▶ All readings are typical values at rated voltage.
- ▶ Specifications are subject to change without notice.
- ▶ Additional special function may be added according the requirement of customer.



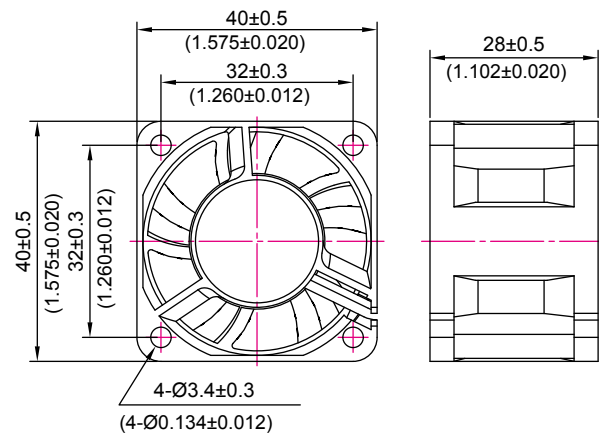
4028 series 40x40x28 mm



P&Q Curve



Dimensions Drawing



UNIT:MM/(INCH)

Specifications

Model	Rated Voltage (VDC)	Rated Current (AMP)	Power Consumption (WATTS)	Speed Reference (RPM)	Air Flow (CFM)	Static Pressure (Inch-H ₂ O)	Noise (dBA)
CS4028M05X	5	0.32	1.6	8000	14.42	0.22	<37.4
CS4028L05X	5	0.22	1.1	6000	9.99	0.11	<31.2
CS4028LL05X	5	0.12	0.6	4000	5.81	0.05	<22.3
CS4028HH12X	12	0.44	5.28	12000	18.94	0.6	<46
CS4028H12X	12	0.3	3.6	10000	18.64	0.34	<42
CS4028M12X	12	0.16	1.92	8000	14.42	0.22	<37.4
CS4028L12X	12	0.12	1.44	6000	9.99	0.11	<31.2
CS4028LL12X	12	0.08	0.96	4000	5.81	0.05	<22.3
CS4028HH24X	24	0.26	6.24	12000	18.94	0.6	<46
CS4028H24X	24	0.2	4.8	10000	18.64	0.34	<42
CS4028M24X	24	0.14	3.36	8000	14.42	0.22	<37.4
CS4028L24X	24	0.08	1.92	6000	9.99	0.11	<31.2

4028 series

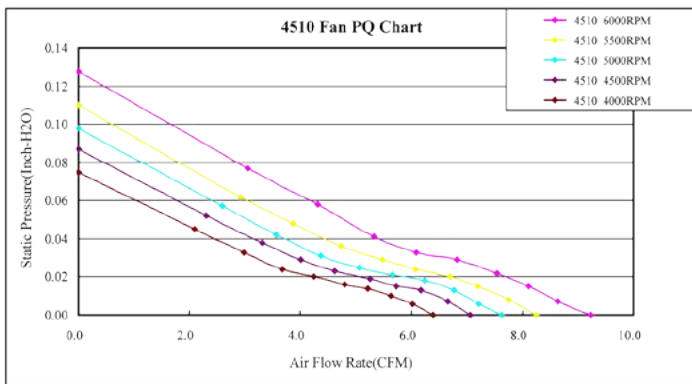
- ▶ Material:impeller & Frame:Plastic(UL 94V-0)
- ▶ Lead Wires:
UL 1007 AWG #24 Or Equivalent
Red Wire Positive(+), Black Wire Negative(-), Yellow Wire Or Blue Wire Signal(FG)
- ▶ Function type is optional.

- ▶ The max air flow and the speed are measured in free air; max air pressure is measured at zero air flow.
- ▶ Noise is measured in anechoic chamber in free air, one meter from intake side.
- ▶ All readings are typical values at rated voltage.
- ▶ Specifications are subject to change without notice.
- ▶ Additional special function may be added according the requirement of customer.

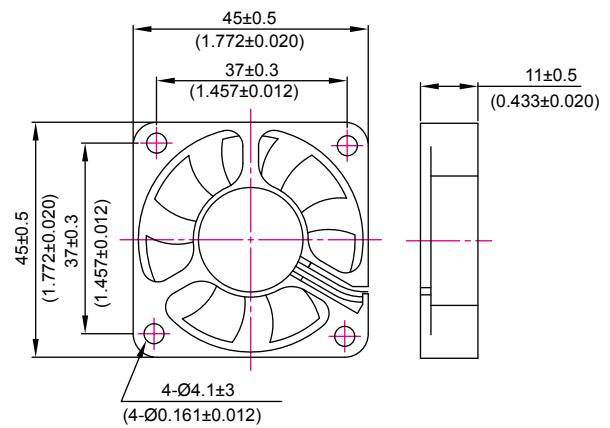
4510 series 45x45x10 mm



P&Q Curve



Dimensions Drawing



UNIT:MM/(INCH)

Specifications

Model	Rated Voltage (VDC)	Rated Current (AMP)	Power Consumption (WATTS)	Speed Reference (RPM)	Air Flow (CFM)	Static Pressure (Inch-H ₂ O)	Noise (dBA)
CS4510HH05X	5	0.24	1.2	6000	9.24	0.13	<28
CS4510H05X	5	0.18	0.9	5500	8.26	0.11	<26
CS4510M05X	5	0.16	0.8	5000	7.63	0.1	<24
CS4510L05X	5	0.14	0.7	4500	7.06	0.09	<22
CS4510LL05X	5	0.12	0.6	4000	6.4	0.07	<20
CS4510HH12X	12	0.14	1.68	6000	9.24	0.13	<28
CS4510H12X	12	0.09	1.08	5500	8.26	0.11	<26
CS4510M12X	12	0.07	0.84	5000	7.63	0.1	<24
CS4510L12X	12	0.06	0.72	4500	7.06	0.09	<22
CS4510LL12X	12	0.05	0.6	4000	6.4	0.07	<20

- ▶ Material:impeller & Frame:Plastic(UL 94V-0)
- ▶ Lead Wires:
UL 1007 AWG #28 Or Equivalent
Red Wire Positive(+), Black Wire Negative(-), Yellow Wire Or Blue Wire Signal(FG)
- ▶ Function type is optional.

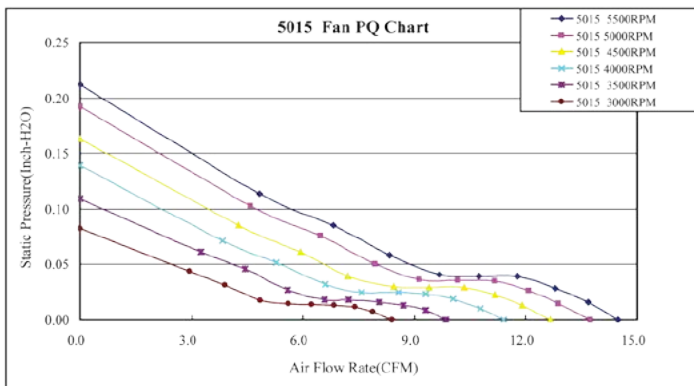
- ▶ The max air flow and the speed are measured in free air; max air pressure is measured at zero air flow.
- ▶ Noise is measured in anechoic chamber in free air, one meter from intake side.
- ▶ All readings are typical values at rated voltage.
- ▶ Specifications are subject to change without notice.
- ▶ Additional special function may be added according the requirement of customer.



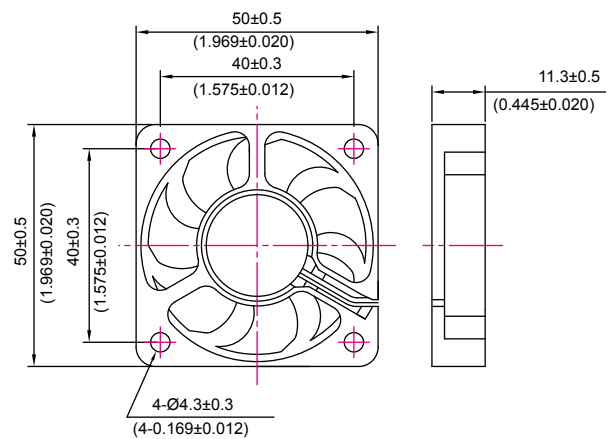
5010 series 50x50x10 mm



P&Q Curve



Dimensions Drawing



Specifications

Model	Rated Voltage (VDC)	Rated Current (AMP)	Power Consumption (WATTS)	Speed Reference (RPM)	Air Flow (CFM)	Static Pressure (Inch-H ₂ O)	Noise (dBA)
CS5010TH05X	5	0.28	1.4	6000	10.71	0.15	<29
CS5010HH05X	5	0.25	1.25	5500	10.07	0.13	<27
CS5010H05X	5	0.22	1.1	5000	8.84	0.11	<25
CS5010M05X	5	0.19	0.95	4500	8.63	0.1	<23
CS5010L05X	5	0.16	0.8	4000	8.08	0.09	<20
CS5010TH12X	12	0.16	1.92	6000	10.71	0.15	<29
CS5010HH12X	12	0.14	1.56	5500	10.07	0.13	<27
CS5010H12X	12	0.12	1.44	5000	8.84	0.11	<25
CS5010M12X	12	0.09	1.08	4500	8.63	0.1	<23
CS5010L12X	12	0.07	0.84	4000	8.08	0.09	<20
CS5010LL12X	12	0.06	0.72	3500	7.07	0.07	<17.26

5010 series

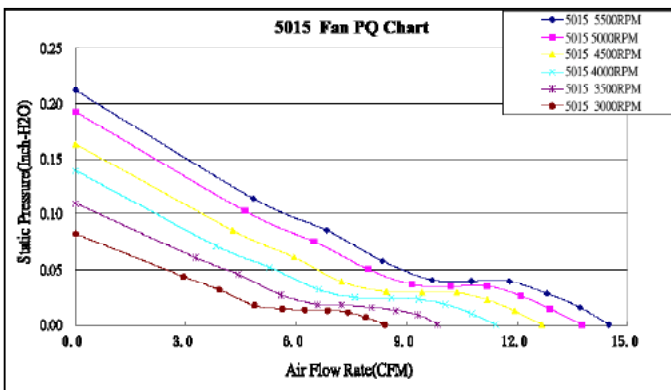
- ▶ Material: impeller & Frame: Plastic (UL 94V-0)
- ▶ Lead Wires: UL 1007 AWG #24 Or Equivalent
Red Wire Positive(+), Black Wire Negative(-), Yellow Wire Or Blue Wire Signal(FG)
- ▶ Function type is optional.

- ▶ The max air flow and the speed are measured in free air; max air pressure is measured at zero air flow.
- ▶ Noise is measured in anechoic chamber in free air, one meter from intake side.
- ▶ All readings are typical values at rated voltage.
- ▶ Specifications are subject to change without notice.
- ▶ Additional special function may be added according the requirement of customer.

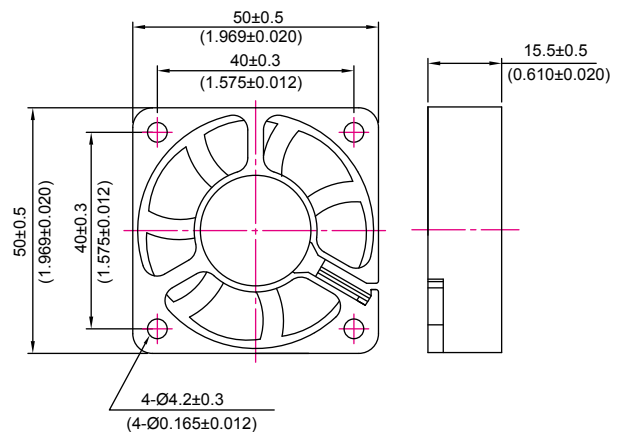
5015 series 50x50x15 mm



P&Q Curve



Dimensions Drawing



UNIT:MM/(INCH)

Specifications

Model	Rated Voltage (VDC)	Rated Current (AMP)	Power Consumption (WATTS)	Speed Reference (RPM)	Air Flow (CFM)	Static Pressure (Inch-H ₂ O)	Noise (dBA)
CS5015HH05X	5	0.3	1.5	5500	14.48	0.21	<33
CS5015H05X	5	0.26	1.3	5000	13.74	0.19	<31
CS5015M05X	5	0.22	1.1	4500	12.66	0.16	<29
CS5015L05X	5	0.18	0.9	4000	11.4	0.14	<27
CS5015LL05X	5	0.14	0.7	3500	9.85	0.11	<25
CS5015SL05X	5	0.12	0.6	3000	8.39	0.08	<21.7
CS5015TH12X	12	0.24	2.88	6000	15.79	0.25	<34
CS5015HH12X	12	0.2	2.4	5500	14.48	0.21	<33
CS5015H12X	12	0.18	2.16	5000	13.74	0.19	<31
CS5015M12X	12	0.15	1.8	4500	12.66	0.16	<29
CS5015L12X	12	0.1	1.2	4000	11.4	0.14	<27
CS5015LL12X	12	0.09	1.08	3500	9.85	0.11	<25
CS5015SL12X	12	0.07	0.84	3000	8.39	0.08	<21.7
CS5015TH24X	24	0.15	3.6	6000	15.79	0.25	<34
CS5015HH24X	24	0.12	2.88	5500	14.48	0.21	<33
CS5015H24X	24	0.08	1.92	5000	13.74	0.19	<31
CS5015M24X	24	0.07	1.68	4500	12.66	0.16	<29
CS5015L24X	24	0.06	1.44	4000	11.4	0.14	<27
CS5015LL24X	24	0.05	1.2	3500	9.85	0.11	<25

- ▶ Material:impeller & Frame:Plastic(UL 94V-0)
- ▶ Lead Wires:
UL 1007 AWG #26 Or Equivalent
Red Wire Positive(+), Black Wire Negative(-), Yellow Wire Or Blue Wire Signal(FG)
- ▶ Function type is optional.

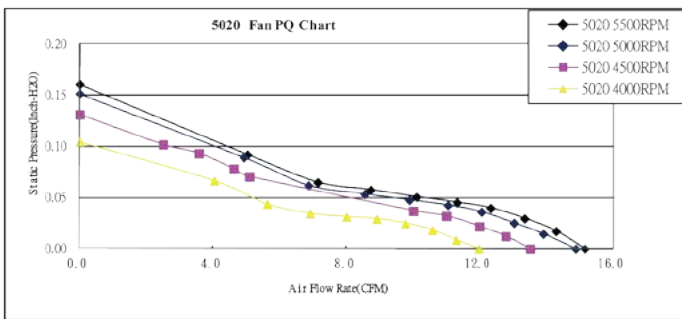
- ▶ The max air flow and the speed are measured in free air; max air pressure is measured at zero air flow.
- ▶ Noise is measured in anechoic chamber in free air, one meter from intake side.
- ▶ All readings are typical values at rated voltage.
- ▶ Specifications are subject to change without notice.
- ▶ Additional special function may be added according the requirement of customer.



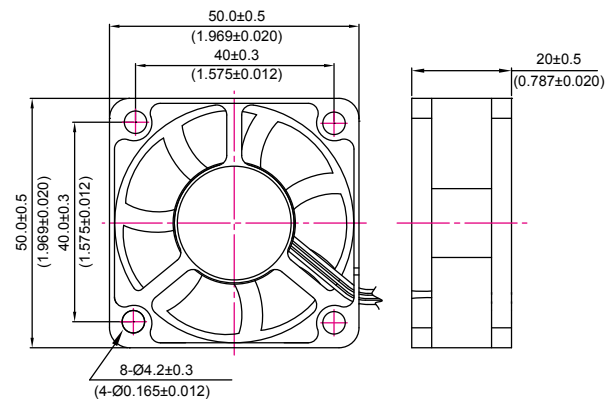
5020 series 50x50x10 mm



P&Q Curve



Dimensions Drawing



UNIT:MM/(INCH)

Specifications

Model	Rated Voltage (VDC)	Rated Current (AMP)	Power Consumption (WATTS)	Speed Reference (RPM)	Air Flow (CFM)	Static Pressure (Inch-H ₂ O)	Noise (dBA)
CS5020HH12X	12	0.21	2.52	5500	15.12	0.16	<28
CS5020H12X	12	0.19	2.28	5000	14.85	0.15	<26
CS5020M12X	12	0.17	2.04	4500	13.49	0.13	<24
CS5020L12X	12	0.12	1.44	4000	11.95	0.11	<22

5020 series

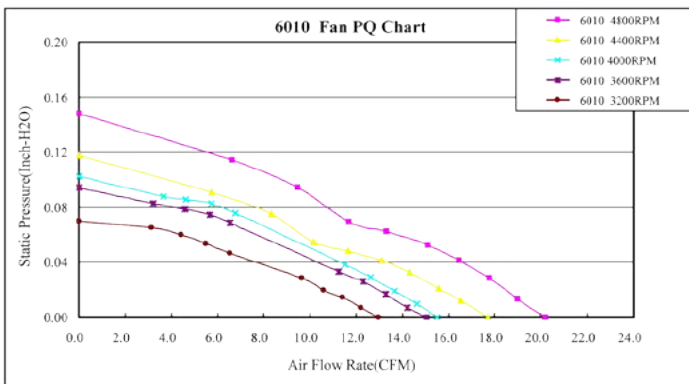
- ▶ Material: impeller & Frame: Plastic (UL 94V-0)
- ▶ Lead Wires: UL 1007 AWG #24 Or Equivalent
Red Wire Positive(+), Black Wire Negative(-), Yellow Wire Or Blue Wire Signal(FG)
- ▶ Function type is optional.

- ▶ The max air flow and the speed are measured in free air; max air pressure is measured at zero air flow.
- ▶ Noise is measured in anechoic chamber in free air, one meter from intake side.
- ▶ All readings are typical values at rated voltage.
- ▶ Specifications are subject to change without notice.
- ▶ Additional special function may be added according the requirement of customer.

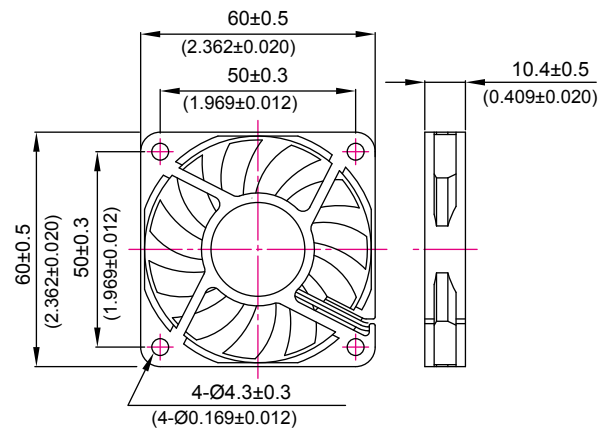
6010 series 60x60x10 mm



P&Q Curve



Dimensions Drawing



UNIT:MM/(INCH)

Specifications

Model	Rated Voltage (VDC)	Rated Current (AMP)	Power Consumption (WATTS)	Speed Reference (RPM)	Air Flow (CFM)	Static Pressure (Inch-H ₂ O)	Noise (dBA)
CS6010HH12X	12	0.22	2.64	4800	20.18	0.15	<36
CS6010H12X	12	0.2	2.4	4400	17.7	0.12	<33
CS6010M12X	12	0.16	1.92	4000	15.49	0.1	<30
CS6010L12X	12	0.14	1.68	3600	15.03	0.09	<26
CS6010HH24X	24	0.18	4.32	4800	20.18	0.15	<36
CS6010H24X	24	0.16	3.84	4400	17.7	0.12	<33
CS6010M24X	24	0.14	3.36	4000	15.49	0.1	<30
CS6010L24X	24	0.12	2.88	3600	15.03	0.09	<26
CS6010LL24X	24	0.1	2.4	3200	12.96	0.07	<25

- ▶ Material:impeller & Frame:Plastic(JL 94V-0)
- ▶ Lead Wires:
UL 1007 AWG #26 Or Equivalent
Red Wire Positive(+), Black Wire Negative(-), Yellow Wire Or Blue Wire Signal(FG)
- ▶ Function type is optional.

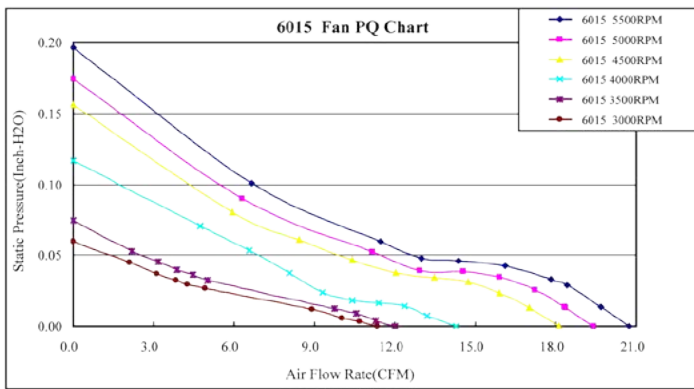
- ▶ The max air flow and the speed are measured in free air; max air pressure is measured at zero air flow.
- ▶ Noise is measured in anechoic chamber in free air, one meter from intake side.
- ▶ All readings are typical values at rated voltage.
- ▶ Specifications are subject to change without notice.
- ▶ Additional special function may be added according the requirement of customer.



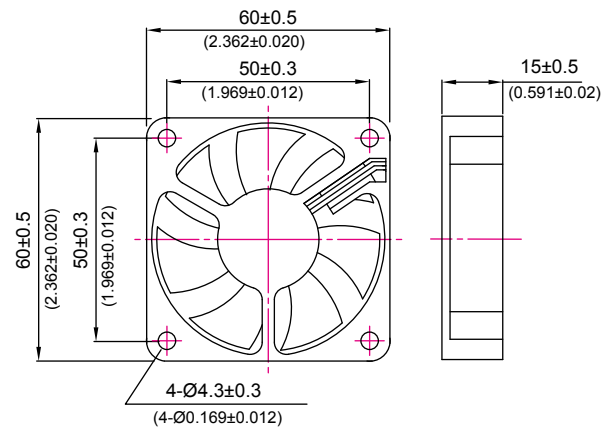
6015 series 60x60x15 mm



P&Q Curve



Dimensions Drawing



UNIT:MM/(INCH)

Specifications

Model	Rated Voltage (VDC)	Rated Current (AMP)	Power Consumption (WATTS)	Speed Reference (RPM)	Air Flow (CFM)	Static Pressure (Inch-H ₂ O)	Noise (dBA)
CS6015TH12X	12	0.21	2.52	5500	20.73	0.2	<39
CS6015HH12X	12	0.15	1.8	5000	19.42	0.18	<37
CS6015H12X	12	0.11	1.32	4500	18.12	0.16	<32
CS6015M12X	12	0.08	0.96	4000	14.28	0.12	<29
CS6015L12X	12	0.07	0.84	3500	12	0.07	<27
CS6015LL12X	12	0.06	0.72	3000	11.33	0.06	<24
CS6015TH24X	24	0.15	3.6	5500	20.73	0.2	<39
CS6015HH24X	24	0.13	3.12	5000	19.42	0.18	<37
CS6015H24X	24	0.11	2.64	4500	18.12	0.16	<32
CS6015M24X	24	0.09	2.16	4000	14.28	0.12	<29
CS6015L24X	24	0.07	1.68	3500	12	0.07	<27

6015 series

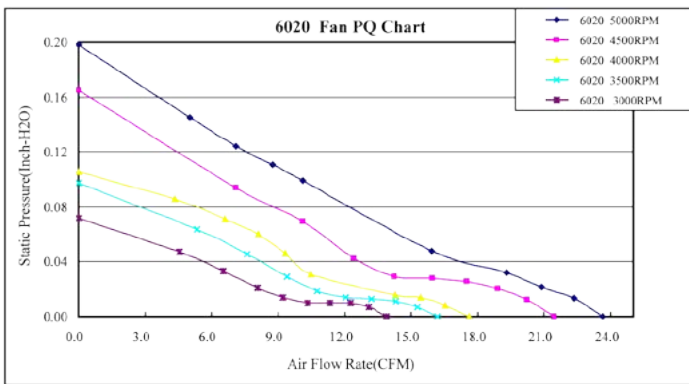
- ▶ Material:impeller & Frame:Plastic(UL 94V-0)
- ▶ Lead Wires:
UL 1007 AWG #24 Or Equivalent
Red Wire Positive(+), Black Wire Negative(-), Yellow Wire Or Blue Wire Signal(FG)
- ▶ Function type is optional.

- ▶ The max air flow and the speed are measured in free air; max air pressure is measured at zero air flow.
- ▶ Noise is measured in anechoic chamber in free air, one meter from intake side.
- ▶ All readings are typical values at rated voltage.
- ▶ Specifications are subject to change without notice.
- ▶ Additional special function may be added according the requirement of customer.

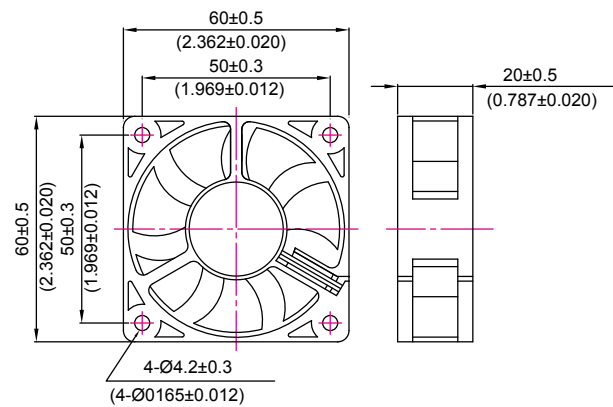
6020 series 60x60x20 mm



P&Q Curve



Dimensions Drawing



UNIT:MM/(INCH)

Specifications

Model	Rated Voltage (VDC)	Rated Current (AMP)	Power Consumption (WATTS)	Speed Reference (RPM)	Air Flow (CFM)	Static Pressure (Inch-H ₂ O)	Noise (dBA)
CS6020M12X	12	0.17	2.04	4000	17.6	0.11	<26
CS6020L12X	12	0.14	1.68	3500	16.19	0.1	<23
CS6020HH24X	24	0.18	4.32	5000	23.64	0.2	<34
CS6020H24X	24	0.15	3.6	4500	21.46	0.17	<30
CS6020M24X	24	0.12	2.88	4000	17.6	0.11	<26
CS6020L24X	24	0.09	2.16	3500	16.19	0.1	<23
CS6020LL24X	24	0.07	1.68	3000	13.88	0.07	<19.6

- ▶ Material:impeller & Frame:Plastic(JL 94V-0)
- ▶ Lead Wires:
UL 1007 AWG #26 Or Equivalent
Red Wire Positive(+), Black Wire Negative(-), Yellow Wire Or Blue Wire Signal(FG)
- ▶ Function type is optional.

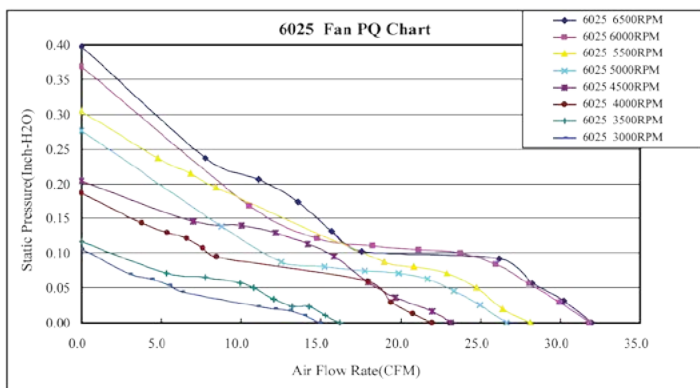
- ▶ The max air flow and the speed are measured in free air; max air pressure is measured at zero air flow.
- ▶ Noise is measured in anechoic chamber in free air, one meter from intake side.
- ▶ All readings are typical values at rated voltage.
- ▶ Specifications are subject to change without notice.
- ▶ Additional special function may be added according the requirement of customer.



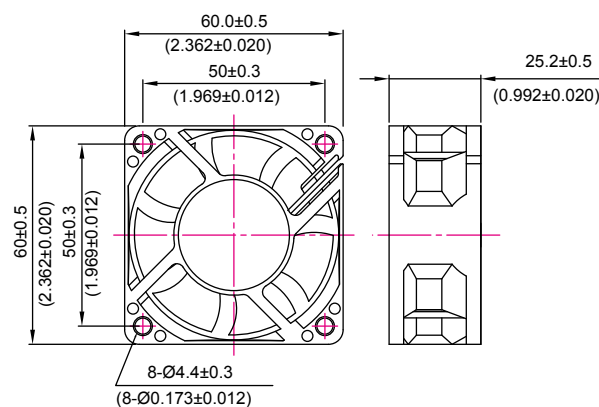
6025 series 60x60x25 mm



P&Q Curve



Dimensions Drawing



UNIT:MM/(INCH)

Specifications

Model	Rated Voltage (VDC)	Rated Current (AMP)	Power Consumption (WATTS)	Speed Reference (RPM)	Air Flow (CFM)	Static Pressure (Inch-H ₂ O)	Noise (dBA)
CS6025TH12X	12	0.44	5.28	6500	31.97	0.4	<41
CS6025HH12X	12	0.38	4.56	6000	31.81	0.37	<39
CS6025MH12X	12	0.32	3.84	5500	28.16	0.31	<38.1
CS6025H12X	12	0.24	2.88	5000	26.63	0.28	<36
CS6025M12X	12	0.2	2.4	4500	23.17	0.21	<32
CS6025L12X	12	0.16	1.92	4000	22.01	0.19	<28
CS6025LL12X	12	0.12	1.44	3500	16.19	0.12	<24
CS6025SL12X	12	0.08	0.96	3000	14.88	0.11	<20.7
CS6025TH24X	24	0.24	5.76	6500	31.97	0.4	<41
CS6025HH24X	24	0.2	4.8	6000	31.81	0.37	<39
CS6025MH24X	24	0.16	3.84	5500	28.16	0.31	<38.1
CS6025H24X	24	0.14	3.36	5000	26.63	0.28	<36
CS6025M24X	24	0.12	2.88	4500	23.17	0.21	<32
CS6025L24X	24	0.1	2.4	4000	22.01	0.19	<28
CS6025LL24X	24	0.08	1.92	3500	16.19	0.12	<24

6025 series

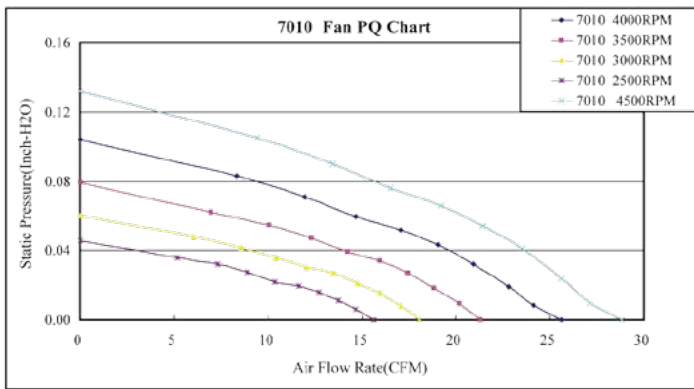
- ▶ Material:impeller & Frame:Plastic(UL 94V-0)
- ▶ Lead Wires:
UL 1007 AWG #24 Or Equivalent
Red Wire Positive(+), Black Wire Negative(-), Yellow Wire Or Blue Wire Signal(FG)
- ▶ Function type is optional.

- ▶ The max air flow and the speed are measured in free air; max air pressure is measured at zero air flow.
- ▶ Noise is measured in anechoic chamber in free air, one meter from intake side.
- ▶ All readings are typical values at rated voltage.
- ▶ Specifications are subject to change without notice.
- ▶ Additional special function may be added according the requirement of customer.

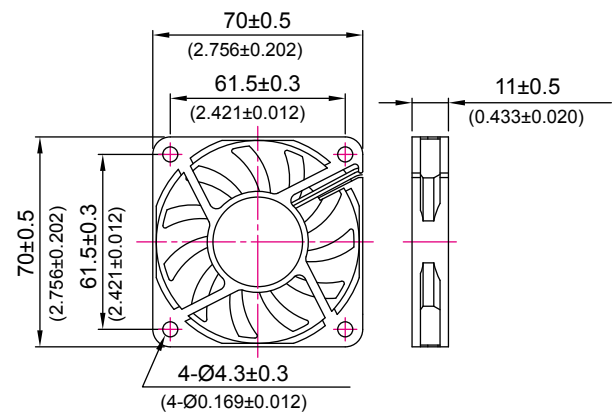
7010 series 70x70x10 mm



P&Q Curve



Dimensions Drawing



UNIT:MM/(INCH)

Specifications

Model	Rated Voltage (VDC)	Rated Current (AMP)	Power Consumption (WATTS)	Speed Reference (RPM)	Air Flow (CFM)	Static Pressure (Inch-H ₂ O)	Noise (dBA)
CS7010HH12X	12	0.31	3.72	4500	28.83	0.13	<39
CS7010H12X	12	0.27	3.24	4000	25.63	0.1	<36
CS7010M12X	12	0.25	3	3500	21.33	0.08	<33
CS7010L12X	12	0.18	2.16	3000	18.08	0.06	<30
CS7010LL12X	12	0.11	1.32	2500	15.62	0.05	<27

- ▶ Material:impeller & Frame:Plastic(UL 94V-0)
- ▶ Lead Wires:
UL 1007 AWG #28 Or Equivalent
Red Wire Positive(+), Black Wire Negative(-), Yellow Wire Or Blue Wire Signal(FG)
- ▶ Function type is optional.

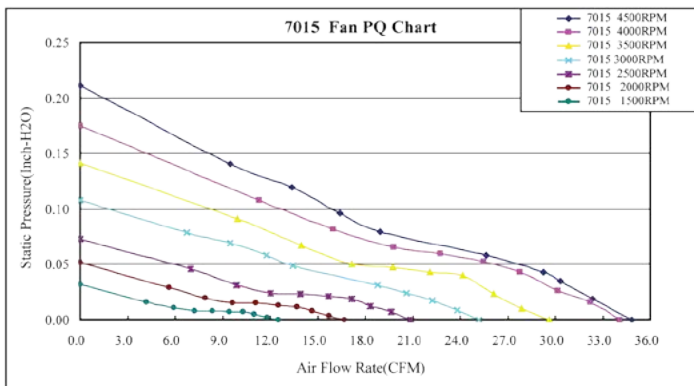
- ▶ The max air flow and the speed are measured in free air; max air pressure is measured at zero air flow.
- ▶ Noise is measured in anechoic chamber in free air, one meter from intake side.
- ▶ All readings are typical values at rated voltage.
- ▶ Specifications are subject to change without notice.
- ▶ Additional special function may be added according the requirement of customer.



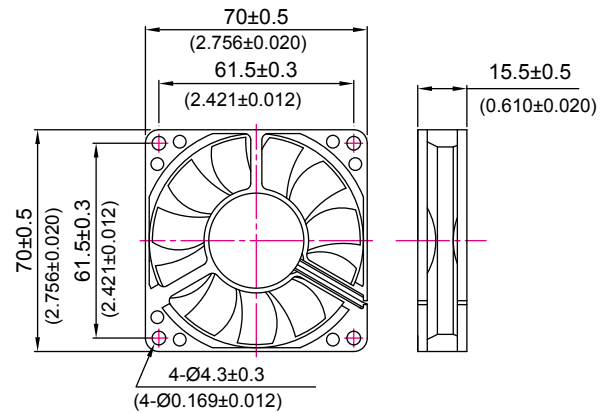
7015 series 70x70x15 mm



P&Q Curve



Dimensions Drawing



UNIT:MM/(INCH)

Specifications

Model	Rated Voltage (VDC)	Rated Current (AMP)	Power Consumption (WATTS)	Speed Reference (RPM)	Air Flow (CFM)	Static Pressure (Inch-H ₂ O)	Noise (dBA)
CS7015H05X	5	0.45	2.25	4000	34.05	0.18	<37
CS7015M05X	5	0.4	2	3500	29.58	0.14	<34
CS7015L05X	5	0.3	1.5	3000	25.19	0.11	<30
CS7015LL05X	5	0.2	1	2500	20.83	0.07	<28
CS7015SL05X	5	0.14	0.7	2000	16.67	0.05	<23.2
CS7015XL05X	5	0.12	0.6	1500	12.5	0.03	<16.9
CS7015HH12X	12	0.34	4.08	4500	34.83	0.21	<40
CS7015H12X	12	0.3	3.6	4000	34.05	0.18	<37
CS7015M12X	12	0.26	3.12	3500	29.58	0.14	<34
CS7015L12X	12	0.22	2.64	3000	25.19	0.11	<30
CS7015LL12X	12	0.16	1.92	2500	20.83	0.07	<28
CS7015SL12X	12	0.1	1.2	2000	16.67	0.05	<23.2
CS7015H24X	24	0.26	6.24	4000	34.05	0.18	<37
CS7015M24X	24	0.22	5.28	3500	29.58	0.14	<34
CS7015L24X	24	0.18	4.32	3000	25.19	0.11	<30
CS7015LL24X	24	0.1	2.4	2500	20.83	0.07	<28

7015 series

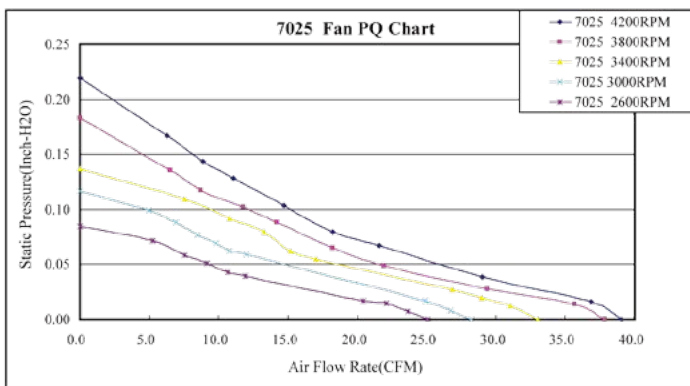
- Material: Impeller & Frame: Plastic (UL 94V-0)
- Lead Wires: UL 1007 AWG #24 Or Equivalent
Red Wire Positive(+), Black Wire Negative(-), Yellow Wire Or Blue Wire Signal(FG)
- Function type is optional.

- The max air flow and the speed are measured in free air; max air pressure is measured at zero air flow.
- Noise is measured in anechoic chamber in free air, one meter from intake side.
- All readings are typical values at rated voltage.
- Specifications are subject to change without notice.
- Additional special function may be added according to the requirement of customer.

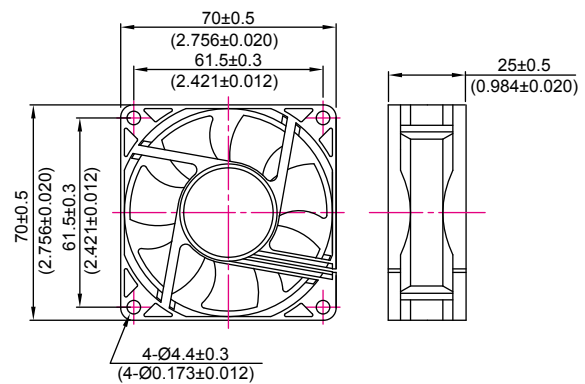
7025 series 70x70x25 mm



P&Q Curve



Dimensions Drawing



UNIT:MM/(INCH)

Specifications

Model	Rated Voltage (VDC)	Rated Current (AMP)	Power Consumption (WATTS)	Speed Reference (RPM)	Air Flow (CFM)	Static Pressure (Inch-H ₂ O)	Noise (dBA)
CS7025HH12X	12	0.3	3.6	4200	39.09	0.22	<36
CS7025H12X	12	0.25	3	3800	37.75	0.18	<32
CS7025M12X	12	0.19	2.28	3400	32.99	0.14	<28
CS7025L12X	12	0.14	1.68	3000	28.2	0.12	<25
CS7025HH24X	24	0.26	6.24	4200	39.09	0.22	<36
CS7025H24X	24	0.22	5.28	3800	37.75	0.18	<32
CS7025M24X	24	0.18	4.32	3400	32.99	0.14	<28
CS7025L24X	24	0.14	3.36	3000	28.2	0.12	<25
CS7025LL24X	24	0.1	2.4	2600	25.09	0.09	<21.9

- ▶ Material:impeller & Frame:Plastic(JL 94V-0)
- ▶ Lead Wires:
UL 1007 AWG #26 Or Equivalent
Red Wire Positive(+), Black Wire Negative(-), Yellow Wire Or Blue Wire Signal(FG)
- ▶ Function type is optional.

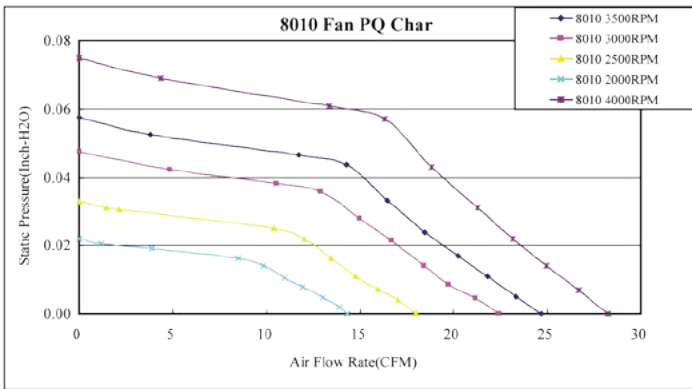
- ▶ The max air flow and the speed are measured in free air; max air pressure is measured at zero air flow.
- ▶ Noise is measured in anechoic chamber in free air, one meter from intake side.
- ▶ All readings are typical values at rated voltage.
- ▶ Specifications are subject to change without notice.
- ▶ Additional special function may be added according the requirement of customer.



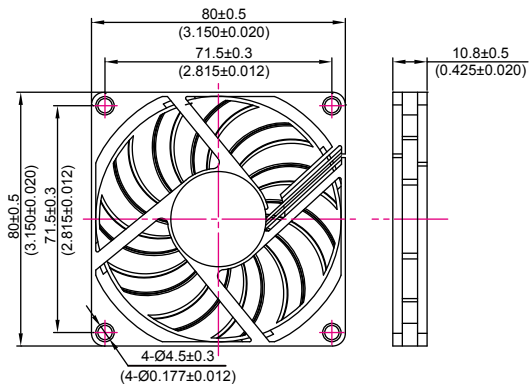
8010 series 80x80x10 mm



P&Q Curve



Dimensions Drawing



UNIT:MM/(INCH)

Specifications

Model	Rated Voltage (VDC)	Rated Current (AMP)	Power Consumption (WATTS)	Speed Reference (RPM)	Air Flow (CFM)	Static Pressure (Inch-H ₂ O)	Noise (dBA)
CS8010H05X	5	0.65	3.25	3500	24.71	0.06	<30.6
CS8010M05X	5	0.5	2.5	3000	22.44	0.05	<27.3
CS8010L05X	5	0.28	1.4	2500	18	0.03	<23.3
CS8010LL05X	5	0.26	1.3	2000	14.32	0.02	<22
CS8010TL05X	5	0.13	0.65	1500	10.74	0.25	<20
CS8010HH12X	12	0.32	3.84	4000	28.24	0.08	<33.5
CS8010H12X	12	0.26	3.12	3500	24.71	0.06	<30.6
CS8010M12X	12	0.2	2.4	3000	22.44	0.05	<27.3
CS8010L12X	12	0.16	1.92	2500	18	0.03	<23.3
CS8010LL12X	12	0.12	1.44	2000	14.32	0.02	<22

7010 series

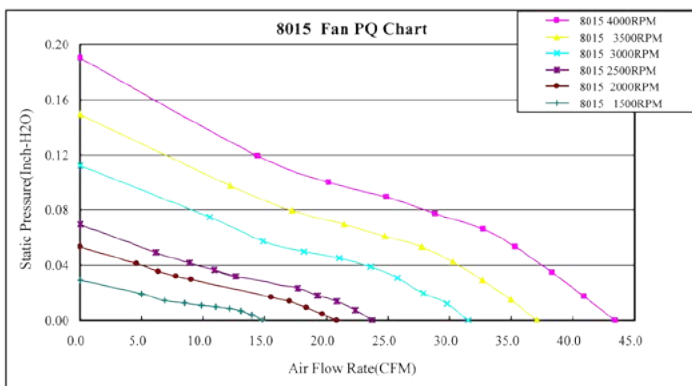
- ▶ Material:impeller & Frame:Plastic(UL 94V-0)
- ▶ Lead Wires:
UL 1007 AWG #24 Or Equivalent
Red Wire Positive(+), Black Wire Negative(-), Yellow Wire Or Blue Wire Signal(FG)
- ▶ Function type is optional.

- ▶ The max air flow and the speed are measured in free air; max air pressure is measured at zero air flow.
- ▶ Noise is measured in anechoic chamber in free air, one meter from intake side.
- ▶ All readings are typical values at rated voltage.
- ▶ Specifications are subject to change without notice.
- ▶ Additional special function may be added according the requirement of customer.

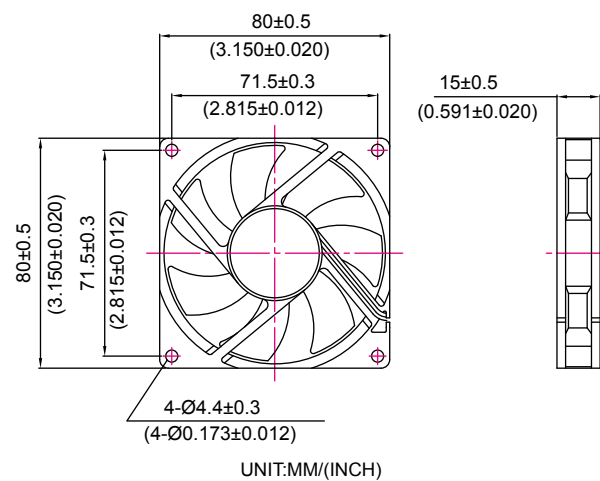
8015 series 80x80x15 mm



P&Q Curve



Dimensions Drawing



Specifications

Model	Rated Voltage (VDC)	Rated Current (AMP)	Power Consumption (WATTS)	Speed Reference (RPM)	Air Flow (CFM)	Static Pressure (Inch-H ₂ O)	Noise (dBA)
CS8015TH12X	12	0.3	3.6	4000	43.46	0.19	<40
CS8015HH12X	12	0.25	3	3500	37.1	0.15	<35
CS8015H12X	12	0.2	2.4	3000	31.51	0.11	<32
CS8015M12X	12	0.16	1.92	2500	23.67	0.07	<26
CS8015L12X	12	0.14	1.68	2000	20.85	0.05	<20
CS8015LL12X	12	0.08	0.96	1500	14.84	0.03	<13.8
CS8015HH24X	24	0.13	3.12	3500	37.1	0.15	<35
CS8015H24X	24	0.11	2.64	3000	31.51	0.11	<32
CS8015M24X	24	0.09	2.16	2500	23.67	0.07	<26
CS8015L24X	24	0.07	1.68	2000	20.85	0.05	<20

- ▶ Material:impeller & Frame:Plastic(JL 94V-0)
- ▶ Lead Wires:
UL 1007 AWG #26 Or Equivalent
Red Wire Positive(+), Black Wire Negative(-), Yellow Wire Or Blue Wire Signal(FG)
- ▶ Function type is optional.

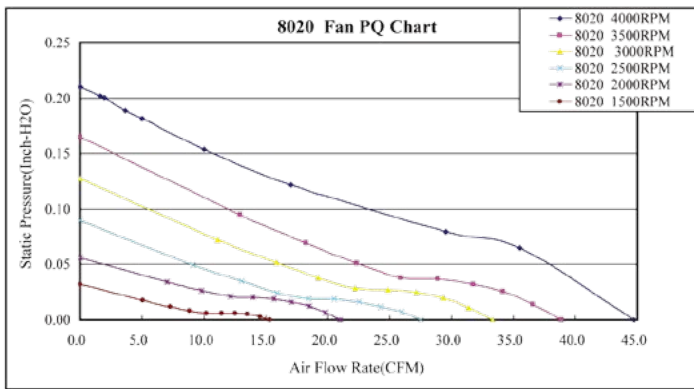
- ▶ The max air flow and the speed are measured in free air; max air pressure is measured at zero air flow.
- ▶ Noise is measured in anechoic chamber in free air, one meter from intake side.
- ▶ All readings are typical values at rated voltage.
- ▶ Specifications are subject to change without notice.
- ▶ Additional special function may be added according the requirement of customer.



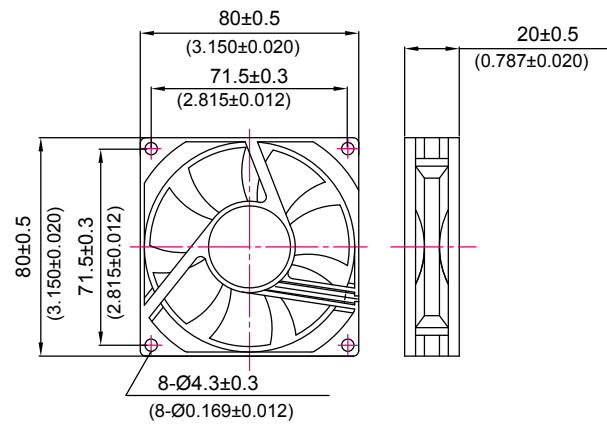
8020 series 80x80x20 mm



P&Q Curve



Dimensions Drawing



UNIT:MM/(INCH)

Specifications

Model	Rated Voltage (VDC)	Rated Current (AMP)	Power Consumption (WATTS)	Speed Reference (RPM)	Air Flow (CFM)	Static Pressure (Inch-H ₂ O)	Noise (dBA)
CS8020TH12X	12	0.3	3.6	4000	44.74	0.21	<37.9
CS8020HH12X	12	0.24	2.88	3500	38.87	0.17	<35
CS8020H12X	12	0.18	2.16	3000	33.31	0.13	<31
CS8020M12X	12	0.13	1.56	2500	27.52	0.09	<26
CS8020L12X	12	0.09	1.08	2000	20.98	0.06	<23
CS8020LL12X	12	0.07	0.84	1500	15.35	0.03	<16.8
CS8020HH24X	24	0.18	4.32	3500	38.87	0.17	<35
CS8020H24X	24	0.14	3.36	3000	33.31	0.13	<31
CS8020M24X	24	0.1	2.4	2500	27.52	0.09	<26
CS8020L24X	24	0.06	1.44	2000	20.98	0.06	<23

8020 series

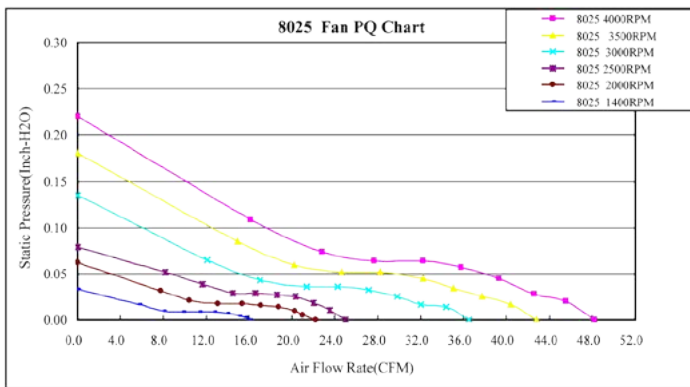
- ▶ Material:impeller & Frame:Plastic(JUL 94V-0)
- ▶ Lead Wires:
UL 1007 AWG #24 Or Equivalent
Red Wire Positive(+), Black Wire Negative(-), Yellow Wire Or Blue Wire Signal(FG)
- ▶ Function type is optional.

- ▶ The max air flow and the speed are measured in free air; max air pressure is measured at zero air flow.
- ▶ Noise is measured in anechoic chamber in free air, one meter from intake side.
- ▶ All readings are typical values at rated voltage.
- ▶ Specifications are subject to change without notice.
- ▶ Additional special function may be added according the requirement of customer.

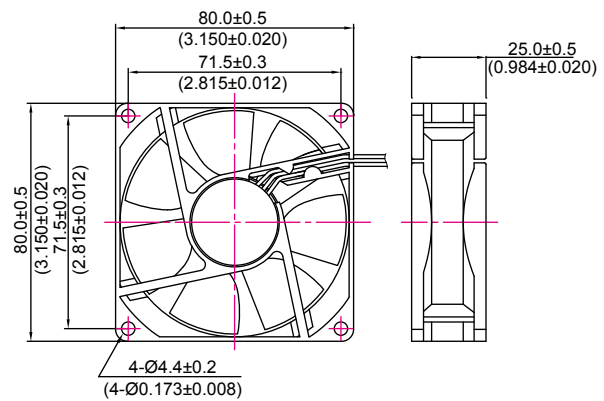
8025 series 80x80x25 mm



P&Q Curve



Dimensions Drawing



Specifications

Model	Rated Voltage (VDC)	Rated Current (AMP)	Power Consumption (WATTS)	Speed Reference (RPM)	Air Flow (CFM)	Static Pressure (Inch-H ₂ O)	Noise (dBA)
CS8025TH12X	12	0.34	4.08	4000	48.22	0.22	<37
CS8025HH12X	12	0.28	3.36	3500	42.83	0.18	<35
CS8025H12X	12	0.16	1.92	3000	36.48	0.14	<33
CS8025M12X	12	0.11	1.32	2500	25.02	0.08	<28
CS8025L12X	12	0.08	0.96	2000	22.26	0.06	<23
CS8025LL12X	12	0.06	0.72	1400	16.06	0.03	<15.3
CS8025SL12X	12	0.05	0.6	1200	14.61	0.03	<11.9
CS8025TH24X	24	0.22	5.28	4000	48.22	0.22	<37
CS8025HH24X	24	0.18	4.32	3500	42.83	0.18	<35
CS8025H24X	24	0.14	3.36	3000	36.48	0.14	<33
CS8025M24X	24	0.1	2.4	2500	25.02	0.08	<28
CS8025L24X	24	0.06	1.44	2000	22.26	0.06	<23

- ▶ Material: Impeller & Frame: Plastic (UL 94V-0)
- ▶ Lead Wires: UL 1007 AWG #26 Or Equivalent
Red Wire Positive(+), Black Wire Negative(-), Yellow Wire Or Blue Wire Signal(FG)
- ▶ Function type is optional.

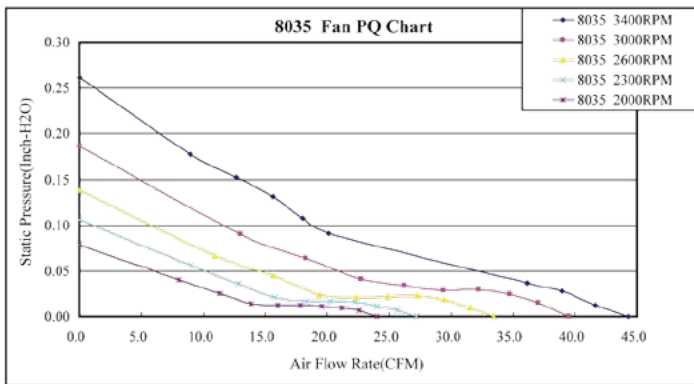
- ▶ The max air flow and the speed are measured in free air; max air pressure is measured at zero air flow.
- ▶ Noise is measured in anechoic chamber in free air, one meter from intake side.
- ▶ All readings are typical values at rated voltage.
- ▶ Specifications are subject to change without notice.
- ▶ Additional special function may be added according to the requirement of customer.



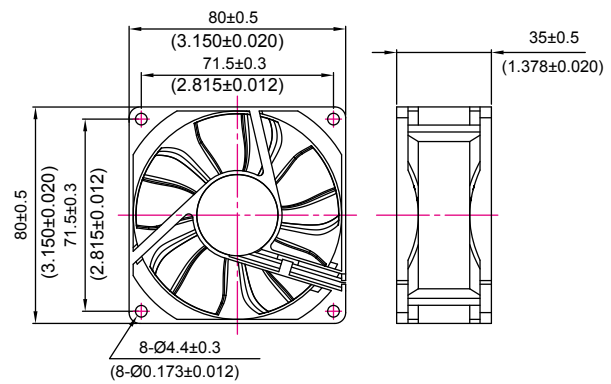
8035 series 80x80x35 mm



P&Q Curve



Dimensions Drawing



UNIT:MM/(INCH)

Specifications

Model	Rated Voltage (VDC)	Rated Current (AMP)	Power Consumption (WATTS)	Speed Reference (RPM)	Air Flow (CFM)	Static Pressure (Inch-H ₂ O)	Noise (dBA)
CS8035SH12X	12	0.29	3.48	3400	44.27	0.26	<36
CS8035HH12X	12	0.21	2.52	3000	39.48	0.19	<34
CS8035H12X	12	0.17	2.04	2600	33.44	0.14	<31
CS8035M12X	12	0.13	1.56	2300	27.17	0.11	<29
CS8035L12X	12	0.1	1.2	2000	23.96	0.08	<24
CS8035TH24X	24	0.23	5.52	3400	44.27	0.26	<36
CS8035HH24X	24	0.19	4.56	3000	39.48	0.19	<34
CS8035H24X	24	0.15	3.84	2600	33.44	0.14	<31
CS8035M24X	24	0.11	2.64	2300	27.17	0.11	<29
CS8035L24X	24	0.07	1.68	2000	23.96	0.08	<24

8035 series

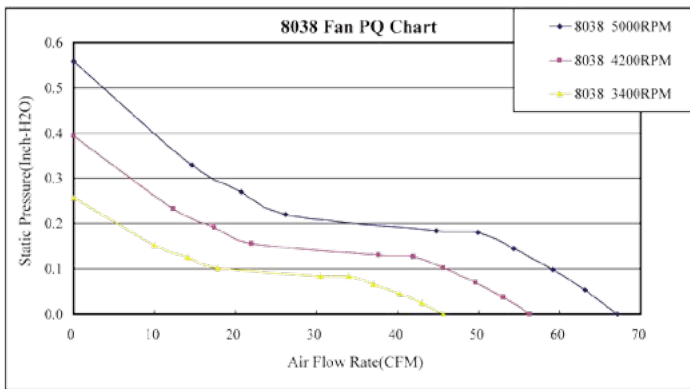
- ▶ Material:impeller & Frame:Plastic(UL 94V-0)
- ▶ Lead Wires:
UL 1007 AWG #24 Or Equivalent
Red Wire Positive(+), Black Wire Negative(-), Yellow Wire Or Blue Wire Signal(FG)
- ▶ Function type is optional.

- ▶ The max air flow and the speed are measured in free air; max air pressure is measured at zero air flow.
- ▶ Noise is measured in anechoic chamber in free air, one meter from intake side.
- ▶ All readings are typical values at rated voltage.
- ▶ Specifications are subject to change without notice.
- ▶ Additional special function may be added according the requirement of customer.

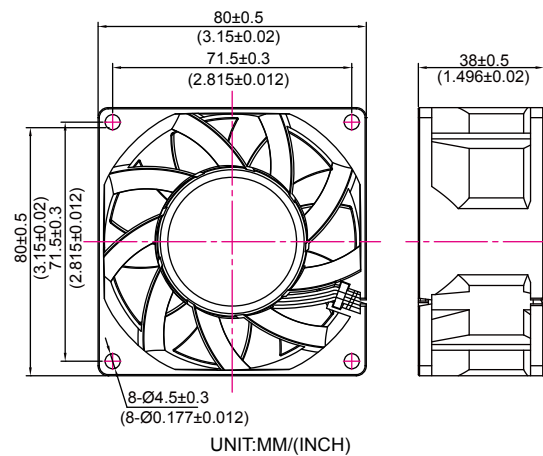
8038 series 80x80x38 mm



P&Q Curve



Dimensions Drawing



Specifications

Model	Rated Voltage (VDC)	Rated Current (AMP)	Power Consumption (WATTS)	Speed Reference (RPM)	Air Flow (CFM)	Static Pressure (Inch-H ₂ O)	Noise (dBA)
CS8038H12X	12	0.6	7.2	5000	67.1	0.56	<43.8
CS8038M12X	12	0.46	5.52	4200	56.36	0.39	<40
CS8038L12X	12	0.32	3.84	3400	45.63	0.26	<35.4

- ▶ Material:impeller & Frame:Plastic(UL 94V-0)
- ▶ Lead Wires:
UL 1007 AWG #24 Or Equivalent
Red Wire Positive(+), Black Wire Negative(-), Yellow Wire Or Blue Wire Signal(FG)
- ▶ Function type is optional.

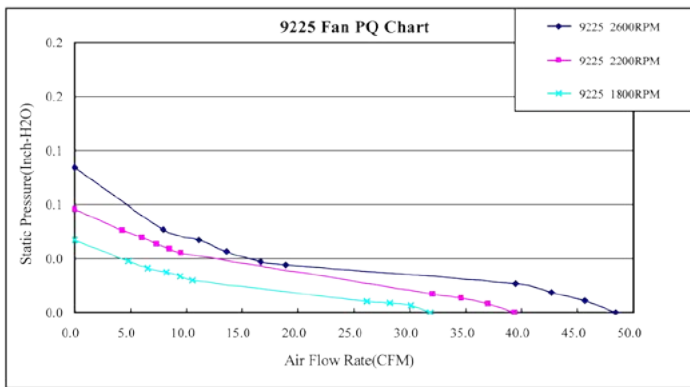
- ▶ The max air flow and the speed are measured in free air; max air pressure is measured at zero air flow.
- ▶ Noise is measured in anechoic chamber in free air, one meter from intake side.
- ▶ All readings are typical values at rated voltage.
- ▶ Specifications are subject to change without notice.
- ▶ Additional special function may be added according the requirement of customer.



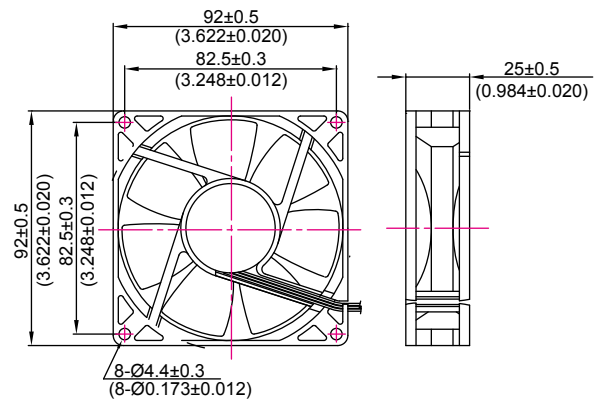
9225 series 92x92x25 mm



P&Q Curve



Dimensions Drawing



UNIT:MM/(INCH)

Specifications

Model	Rated Voltage (VDC)	Rated Current (AMP)	Power Consumption (WATTS)	Speed Reference (RPM)	Air Flow (CFM)	Static Pressure (Inch-H2O)	Noise (dBA)
CS9225H12X	12	0.21	2.52	2600	48.43	0.11	<31
CS9225M12X	12	0.15	1.8	2200	39.35	0.08	<25
CS9225L12X	12	0.09	1.08	1800	31.84	0.05	<22

9225 series

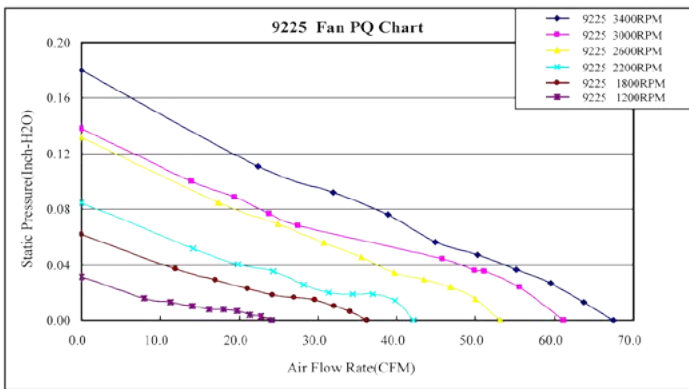
- ▶ Material:impeller & Frame:Plastic(UL 94V-0)
- ▶ Lead Wires:
UL 1007 AWG #24 Or Equivalent
Red Wire Positive(+), Black Wire Negative(-), Yellow Wire Or Blue Wire Signal(FG)
- ▶ Function type is optional.

- ▶ The max air flow and the speed are measured in free air; max air pressure is measured at zero air flow.
- ▶ Noise is measured in anechoic chamber in free air, one meter from intake side.
- ▶ All readings are typical values at rated voltage.
- ▶ Specifications are subject to change without notice.
- ▶ Additional special function may be added according the requirement of customer.

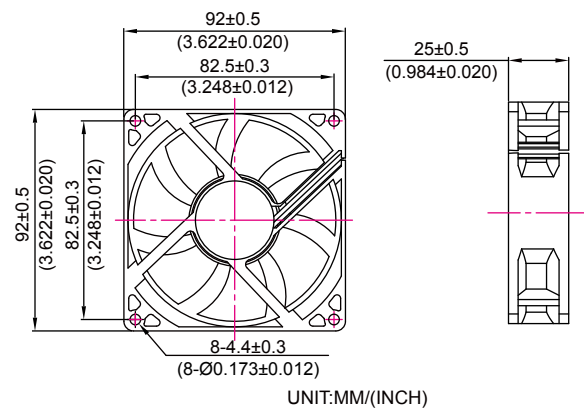
9225ii series 92x92x25 mm



P&Q Curve



Dimensions Drawing



Specifications

Model	Rated Voltage (VDC)	Rated Current (AMP)	Power Consumption (WATTS)	Speed Reference (RPM)	Air Flow (CFM)	Satic Pressure (Inch-H ₂ O)	Noise (dBA)
CS9225HH12X	12	0.3	3.6	3000	61.11	0.14	<28.1
CS9225H12X	12	0.24	2.88	2600	53.1	0.13	<25
CS9225M12X	12	0.2	2.4	2200	42.1	0.09	<21.4
CS9225L12X	12	0.16	1.92	1800	36.23	0.06	<17
CS9225LL12X	12	0.12	1.44	1200	24.15	0.03	<8.7
CS9225TH24X	24	0.28	6.72	3400	67.47	0.18	<30.8
CS9225HH24X	24	0.23	5.52	3000	61.11	0.14	<28.1
CS9225H24X	24	0.18	4.32	2600	53.1	0.13	<25
CS9225M24X	24	0.13	3.12	2200	42.1	0.09	<21.4
CS9225L24X	24	0.08	1.92	1800	36.23	0.06	<17

- ▶ Material:impeller & Frame:Plastic(UL 94V-0)
- ▶ Lead Wires:
UL 1007 AWG #24 Or Equivalent
Red Wire Positive(+), Black Wire Negative(-), Yellow Wire Or Blue Wire Signal(FG)
- ▶ Function type is optional.

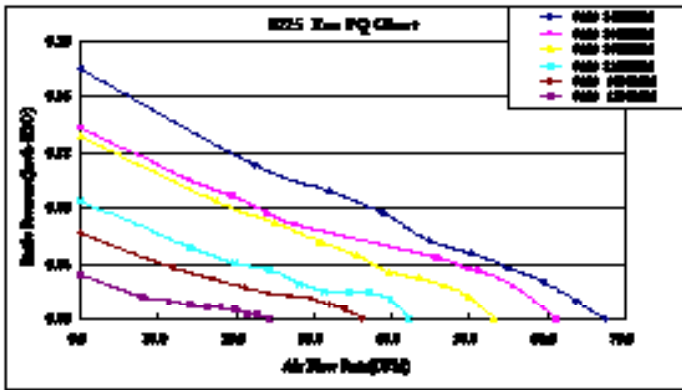
- ▶ The max air flow and the speed are measured in free air; max air pressure is measured at zero air flow.
- ▶ Noise is measured in anechoic chamber in free air, one meter from intake side.
- ▶ All readings are typical values at rated voltage.
- ▶ Specifications are subject to change without notice.
- ▶ Additional special function may be added according the requirement of customer.



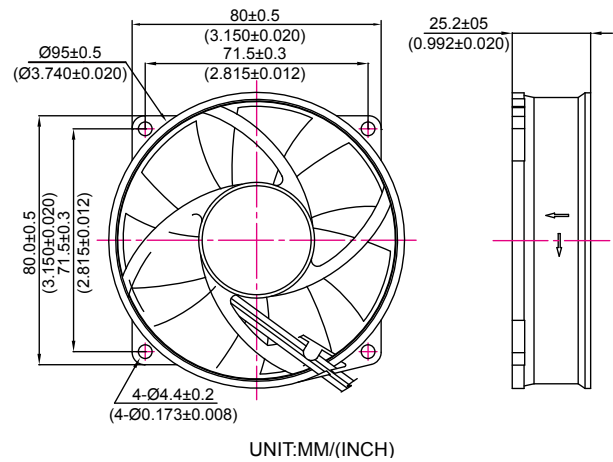
9225iii series 92x92x25 mm



P&Q Curve



Dimensions Drawing



UNIT:MM/(INCH)

Specifications

Model	Rated Voltage (VDC)	Rated Current (AMP)	Power Consumption (WATTS)	Speed Reference (RPM)	Air Flow (CFM)	Satic Pressure (Inch-H ₂ O)	Noise (dBA)
CS9225HH12X	12	0.3	3.6	3000	61.11	0.14	<28.1
CS9225H12X	12	0.24	2.88	2600	53.1	0.13	<25
CS9225M12X	12	0.2	2.4	2200	42.1	0.09	<21.4
CS9225L12X	12	0.16	1.92	1800	36.23	0.06	<17
CS9225LL12X	12	0.12	1.44	1200	24.15	0.03	<8.7
CS9225TH24X	24	0.28	6.72	3400	67.47	0.18	<30.8
CS9225HH24X	24	0.23	5.52	3000	61.11	0.14	<28.1
CS9225H24X	24	0.18	4.32	2600	53.1	0.13	<25
CS9225M24X	24	0.13	3.12	2200	42.1	0.09	<21.4
CS9225L24X	24	0.08	1.92	1800	36.23	0.06	<17

9225iii series

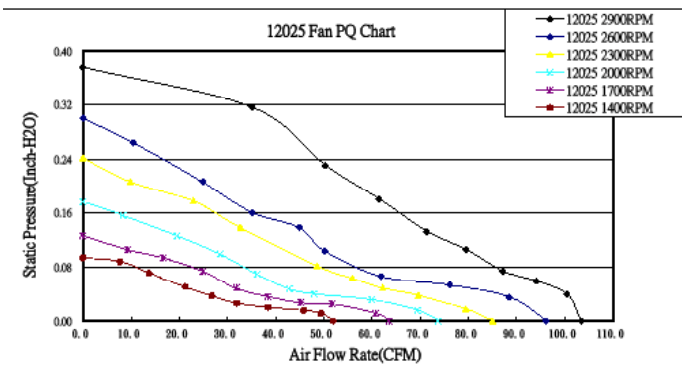
- ▶ Material:impeller & Frame:Plastic(UL 94V-0)
- ▶ Lead Wires:
UL 1007 AWG #24 Or Equivalent
Red Wire Positive(+), Black Wire Negative(-), Yellow Wire Or Blue Wire Signal(FG)
- ▶ Function type is optional.

- ▶ The max air flow and the speed are measured in free air; max air pressure is measured at zero air flow.
- ▶ Noise is measured in anechoic chamber in free air, one meter from intake side.
- ▶ All readings are typical values at rated voltage.
- ▶ Specifications are subject to change without notice.
- ▶ Additional special function may be added according the requirement of customer.

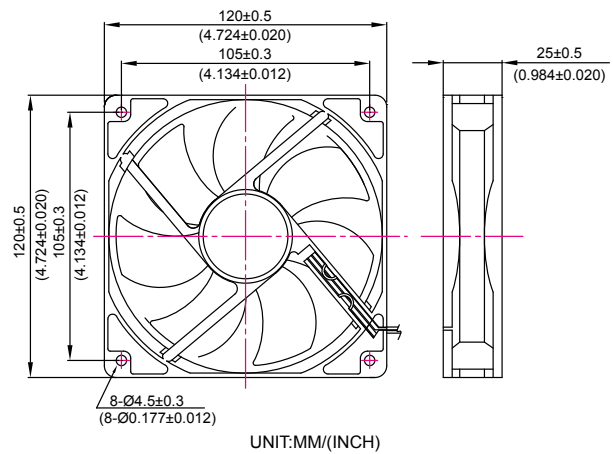
12025 series 120x120x25 mm



P&Q Curve



Dimensions Drawing



Specifications

Model	Rated Voltage (VDC)	Rated Current (AMP)	Power Consumption (WATTS)	Speed Reference (RPM)	Air Flow (CFM)	Static Pressure (Inch-H ₂ O)	Noise (dBA)
CS12025HH12X	12	0.85	10.2	2900	103.33	0.38	<47
CS12025H12X	12	0.65	7.8	2600	96.15	0.3	<43.6
CS12025M12X	12	0.4	4.8	2300	84.98	0.24	<41
CS12025L12X	12	0.32	3.84	2000	73.74	0.18	<37.2
CS12025LL12X	12	0.24	2.88	1700	63.66	0.13	<32.8
CS12025SL12X	12	0.16	1.92	1400	51.87	0.09	<29
CS12025HH24X	24	0.44	10.56	2900	103.33	0.38	<47
CS12025H24X	24	0.32	7.68	2600	96.15	0.3	<43.6
CS12025M24X	24	0.28	6.72	2300	84.98	0.24	<41
CS12025L24X	24	0.24	5.76	2000	73.74	0.18	<37.2
CS12025LL24X	24	0.2	4.8	1700	63.66	0.13	<32.8
CS12025SL24X	24	0.16	3.84	1400	51.87	0.09	<29

- ▶ Material:impeller & Frame:Plastic(UL 94V-0)
- ▶ Lead Wires:
UL 1007 AWG #24 Or Equivalent
Red Wire Positive(+), Black Wire Negative(-), Yellow Wire Or Blue Wire Signal(FG)
- ▶ Function type is optional.

- ▶ The max air flow and the speed are measured in free air; max air pressure is measured at zero air flow.
- ▶ Noise is measured in anechoic chamber in free air, one meter from intake side.
- ▶ All readings are typical values at rated voltage.
- ▶ Specifications are subject to change without notice.
- ▶ Additional special function may be added according the requirement of customer.

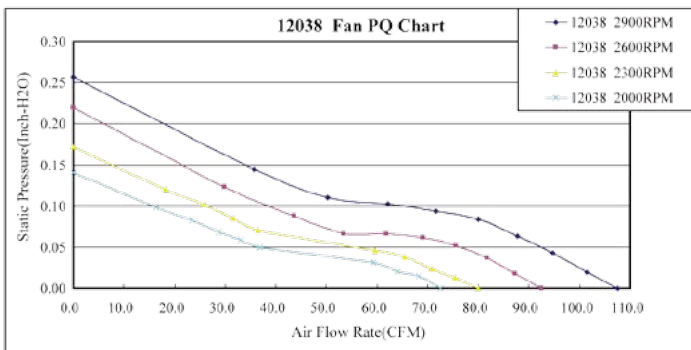
12025 series



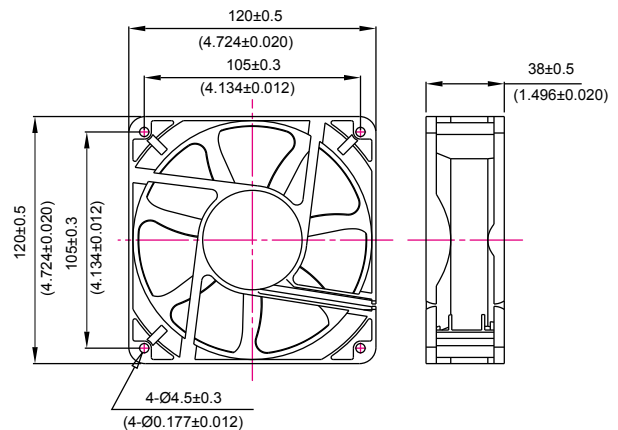
12038 series 120x120x38 mm



P&Q Curve



Dimensions Drawing



UNIT:MM/(INCH)

Specifications

Model	Rated Voltage (VDC)	Rated Current (AMP)	Power Consumption (WATTS)	Speed Reference (RPM)	Air Flow (CFM)	Static Pressure (Inch-H ₂ O)	Noise (dBA)
CS12038H12X	12	0.58	6.96	2600	92.49	0.22	<41
CS12038M12X	12	0.4	4.8	2300	79.9	0.17	<38
CS12038L12X	12	0.37	4.44	2000	72.5	0.14	<34
CS12038HH24X	24	0.46	11.04	2900	107.49	0.26	<45.8
CS12038H24X	24	0.42	10.08	2600	92.49	0.22	<41
CS12038M24X	24	0.38	9.12	2300	79.9	0.17	<38
CS12038L24X	24	0.34	8.16	2000	72.5	0.14	<34

12038 series

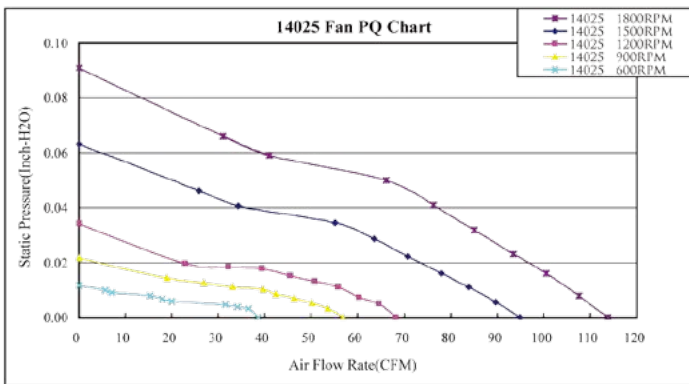
- ▶ Material:impeller & Frame:Plastic(UL 94V-0)
- ▶ Lead Wires:
UL 1007 AWG #24 Or Equivalent
Red Wire Positive(+), Black Wire Negative(-), Yellow Wire Or Blue Wire Signal(FG)
- ▶ Function type is optional.

- ▶ The max air flow and the speed are measured in free air; max air pressure is measured at zero air flow.
- ▶ Noise is measured in anechoic chamber in free air, one meter from intake side.
- ▶ All readings are typical values at rated voltage.
- ▶ Specifications are subject to change without notice.
- ▶ Additional special function may be added according the requirement of customer.

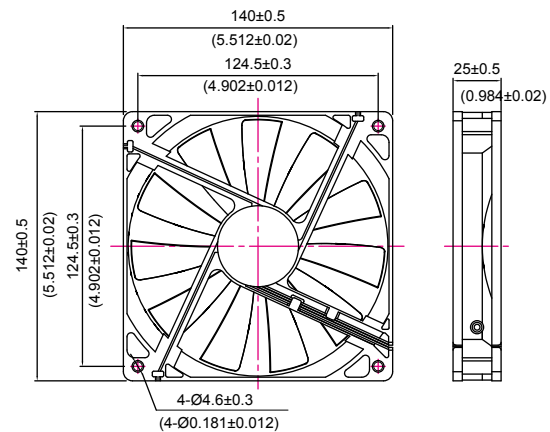
14025 series 140x140x25 mm



P&Q Curve



Dimensions Drawing



UNIT:MM/(INCH)

Specifications

Model	Rated Voltage (VDC)	Rated Current (AMP)	Power Consumption (WATTS)	Speed Reference (RPM)	Air Flow (CFM)	Static Pressure (Inch-H ₂ O)	Noise (dBA)
CS14025H12X	12	0.72	8.64	1800	113.87	0.09	<30.9
CS14025M12X	12	0.45	5.4	1500	94.89	0.06	<26.9
CS14025L12X	12	0.28	3.36	1200	68.23	0.03	<22.1
CS14025LL12X	12	0.18	2.16	900	56.74	0.02	<15.8
CS14025SL12X	12	0.1	1.2	600	38.58	0.01	<7

- ▶ Material:impeller & Frame:Plastic(UL 94V-0)
- ▶ Lead Wires:
UL 1007 AWG #28 Or Equivalent
Red Wire Positive(+), Black Wire Negative(-), Yellow Wire Or Blue Wire Signal(FG)
- ▶ Function type is optional.

- ▶ The max air flow and the speed are measured in free air; max air pressure is measured at zero air flow.
- ▶ Noise is measured in anechoic chamber in free air, one meter from intake side.
- ▶ All readings are typical values at rated voltage.
- ▶ Specifications are subject to change without notice.
- ▶ Additional special function may be added according the requirement of customer.

INDUSTRIES SERVED



Telecom



Medical



LED



Electronics



Automotive



Industrial



Energy



RF / Amplifier



Consumer



Military

Represented by:

The DiMaggio Technical Products Group

Peter J. DiMaggio

President
(978) 846-0463
peterjdimaggio@TDTPG.com
www.TDTPG.com



Manufacturers Representative to the high tech of New England

Corporate Headquarters
3111 Independence Drive
Livermore, CA 94551
Tel: 925.292.1293
Fax: 925.292.5061

China
Manufacturing
Dongguan City,
Guangdong Province
China

www.coolingsource.com